

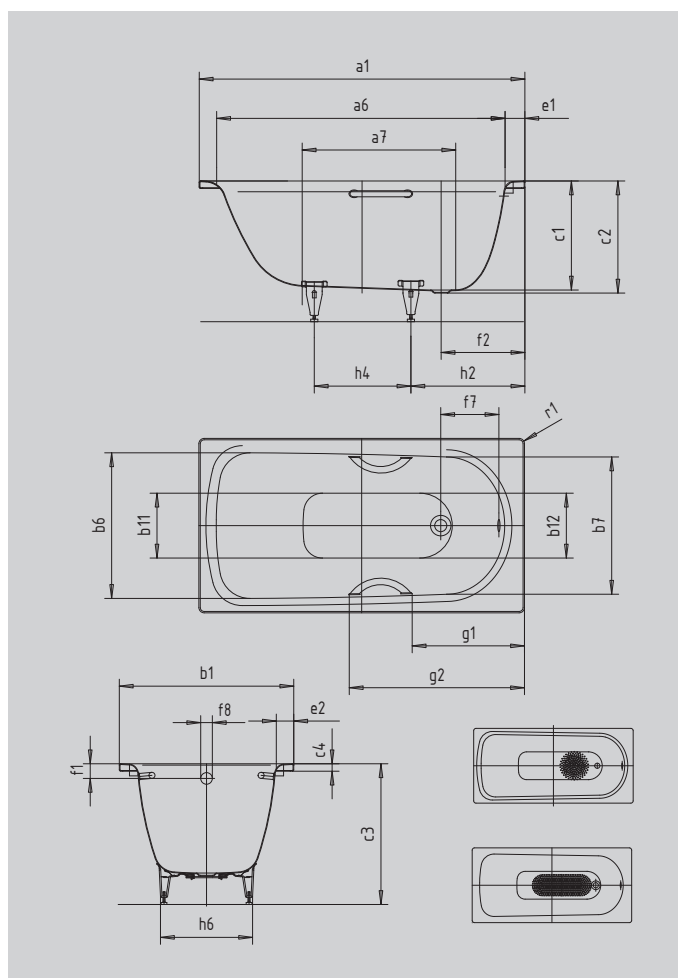
# SANIFORM PLUS

## SANIFORM PLUS STAR

- one-seater bath with waste at foot end
- classic four-cornered model
- also available with grips
- made of KALDEWEI steel enamel



Similar illustration



|  |                                   |              |
|--|-----------------------------------|--------------|
| Model  |                                   | 345          |
| External length  | a <sub>1</sub>                    | 1600 mm      |
| Internal length (top)                                    | a <sub>6</sub>                    | 1440 mm      |
| Internal length (bottom)                                 | a <sub>7</sub>                    | 844 mm       |
| External width   | b <sub>1</sub>                    | 750 mm       |
| Internal width (top)                                     | b <sub>6</sub> ; b <sub>7</sub>   | 620; 590 mm  |
| Internal width (bottom)                                  | b <sub>11</sub> ; b <sub>12</sub> | 280; 280 mm  |
| Depth inside   | c <sub>1</sub>                    | 470 mm       |
| Depth incl. waste hole                                   | c <sub>2</sub>                    | 480 mm       |
| Height with feet   | c <sub>3</sub>                    | 625 - 635 mm |
| Height of rim  | c <sub>4</sub>                    | 32 mm        |
| Width of rim (foot end; long side)                       | e <sub>1</sub> ; e <sub>2</sub>   | 80; 85 mm    |
| Distance top edge to centre of overflow hole             | f <sub>1</sub>                    | 65 mm        |
| Distance bath edge to centre of waste hole               | f <sub>2</sub>                    | 360 mm       |
| Distance centre of waste hole to centre of overflow hole | f <sub>7</sub>                    | 267 mm       |
| Diameter of overflow hole                                | f <sub>8</sub>                    | Ø 52 mm      |
| Diameter of waste hole                                   | f <sub>9</sub>                    | Ø 52 mm      |
| Distance bath edge (foot end) to start of grip           | g <sub>1</sub>                    | 584 mm       |
| Distance bath edge (foot end) to end of grip             | g <sub>2</sub>                    | 859 mm       |
| Distance foot end of bath edge to centre of foot         | h <sub>2</sub>                    | 480 mm       |
| Distance between the feet                                | h <sub>4</sub>                    | 605 mm       |
| Width of feet max.                                       | h <sub>6</sub>                    | 430 mm       |
| External radius  | r <sub>1</sub>                    | 23 mm        |
| Water volume   |                                   | 140 l        |
| Net weight   |                                   | 49 kg        |
| Diameter of anti-slip                                    |                                   | Ø 288 mm     |
| Full anti-slip   |                                   | 600 x 220 mm |