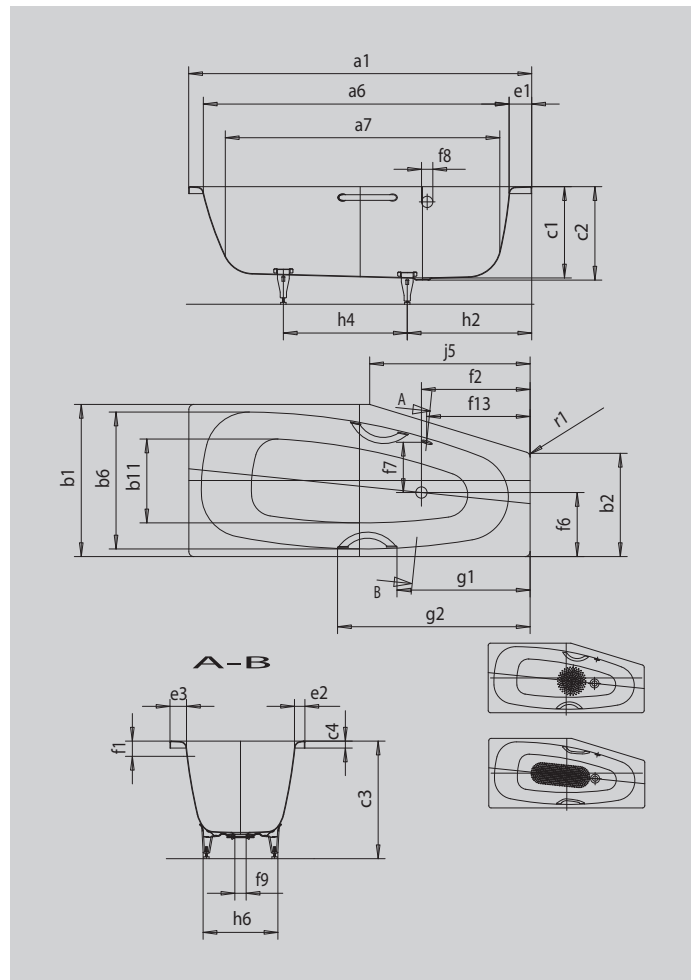


# MINI LEFT MINI STAR LEFT

- one-seater bath with side overflow
- economic water consumption thanks to its tapering interior contours
- special shape is ideal for small bathrooms
- also available with grips
- made of KALDEWEI steel enamel



Similar illustration



Model		832
External length	a <sub>1</sub>	1570 mm
Internal length (top)	a <sub>6</sub>	1410 mm
Internal length (bottom)	a <sub>7</sub>	1250 mm
External width	b <sub>1</sub>	750 mm
External width	b <sub>2</sub>	500 mm
Internal width (top)	b <sub>6</sub>	600 mm
Internal width (bottom)	b <sub>11</sub>	360 mm
Depth inside	c <sub>1</sub>	420 mm
Depth incl. waste hole	c <sub>2</sub>	430 mm
Height with feet	c <sub>3</sub>	550 - 570 mm
Height of rim	c <sub>4</sub>	32 mm
Width of rim long side	e <sub>3</sub>	70 mm
Width of rim (foot end; long side)	e <sub>1</sub> ; e <sub>2</sub>	100; 60 mm
Distance top edge to centre of overflow hole	f <sub>1</sub>	70 mm
Distance bath edge to centre of waste hole	f <sub>2</sub>	500 mm
Waste hole off-centre	f <sub>6</sub>	320 mm
Distance centre of waste hole to centre of overflow hole	f <sub>7</sub>	246 mm
Diameter of overflow hole	f <sub>8</sub>	Ø 52 mm
Diameter of waste hole	f <sub>9</sub>	Ø 52 mm
Distance bath edge to centre of overflow hole	f <sub>13</sub>	475 mm
Distance foot end of bath edge to centre of foot	h <sub>2</sub>	570 mm
Distance between the feet	h <sub>4</sub>	490 mm
Width of feet max.	h <sub>6</sub>	430 mm
Length of narrow side	j <sub>5</sub>	820 mm
External radius	r <sub>1</sub>	23 mm
Water volume		110 l
Net weight		52 kg
Diameter of anti-slip		Ø 288 mm
Full anti-slip		600 x 220 mm