

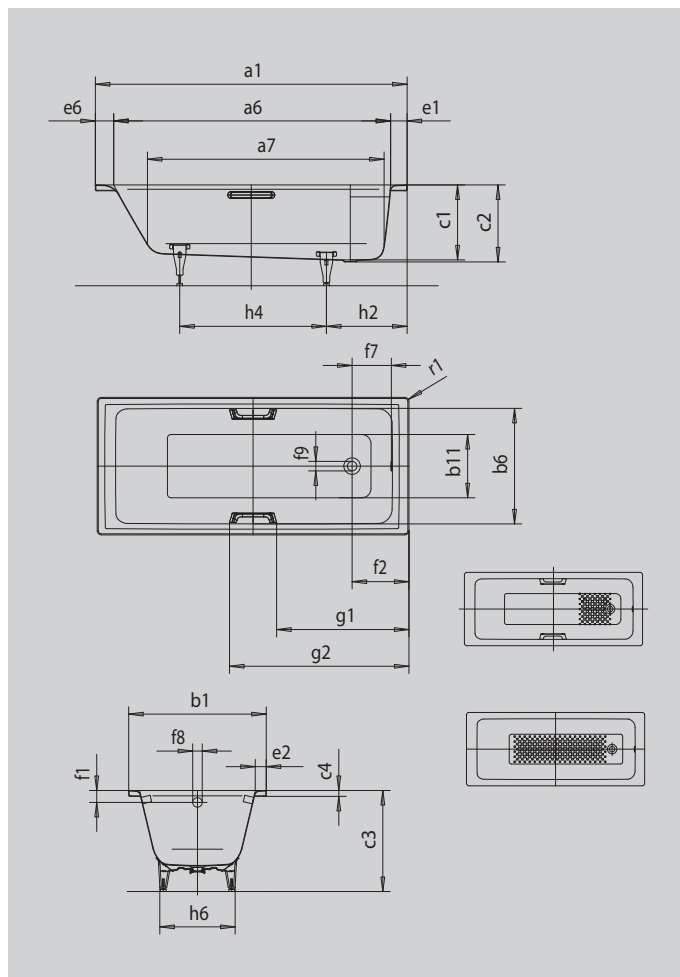
PURO

PURO STAR

- straightlined, purist design
- classic four-cornered model
- one-seater bath with waste at foot end
- perfect match for the PURO model range
- made of KALDEWEI steel enamel



Similar illustration



| | | |
|--|--|----------------|
| Model | | 654 |
| External length | a ₁ | 1700 mm |
| Internal length (top) | a ₆ | 1510 mm |
| Internal length (bottom) | a ₇ | 1280 mm |
| External width | b ₁ | 750 mm |
| Internal width (top) | b ₆ | 620 mm |
| Internal width (bottom) | b ₁₁ | 460 mm |
| Depth inside | c ₁ | 410 mm |
| Depth incl. waste hole | c ₂ | 420 mm |
| Height with feet | c ₃ | 554 - 568 mm |
| Height of rim | c ₄ | 32 mm |
| Width of rim (foot end; long side; head end) | e ₁ ; e ₂ ; e ₆ | 90; 60; 100 mm |
| Distance top edge to centre of overflow hole | f ₁ | 65 mm |
| Distance bath edge to centre of waste hole | f ₂ | 310 mm |
| Distance centre of waste hole to centre of overflow hole | f ₇ | 214 mm |
| Diameter of overflow hole | f ₈ | Ø 52 mm |
| Diameter of waste hole | f ₉ | Ø 52 mm |
| Distance bath edge (foot end) to start of grip | g ₁ | 721 mm |
| Distance bath edge (foot end) to end of grip | g ₂ | 979 mm |
| Distance foot end of bath edge to centre of foot | h ₂ | 445 mm |
| Distance between the feet | h ₄ | 750 mm |
| Width of feet max. | h ₆ | 470 mm |
| External radius | r ₁ | 8 mm |
| Water volume | | 137 l |
| Net weight | | 50 kg |
| Anti-slip | | 348 x 348 mm |
| Full anti-slip | | 924 x 348 mm |