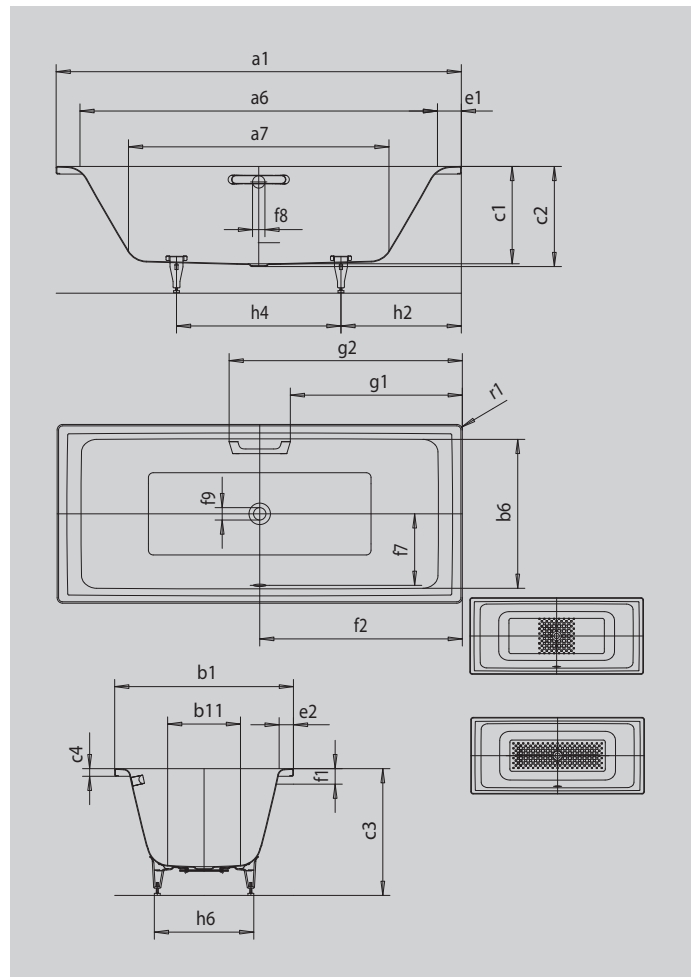


PURO DUO

- straightlined, purist design
- classic four-cornered model
- perfect match for the PURO model range
- bathing with a friend: two identical back rests and centrally positioned waste
- made of KALDEWEI steel enamel



Similar illustration



Model		663
External length	a ₁	1700 mm
Internal length (top)	a ₆	1500 mm
Internal length (bottom)	a ₇	1130 mm
External width	b ₁	750 mm
Internal width (top)	b ₆	630 mm
Internal width (bottom)	b ₁₁	460 mm
Depth inside	c ₁	410 mm
Depth incl. waste hole	c ₂	420 mm
Height with feet	c ₃	540 - 575 mm
Height of rim	c ₄	32 mm
Width of rim (foot end; long side)	e ₁ ; e ₂	100; 60 mm
Distance top edge to centre of overflow hole	f ₁	65 mm
Distance bath edge to centre of waste hole	f ₂	850 mm
Distance centre of waste hole to centre of overflow hole	f ₇	305 mm
Diameter of overflow hole	f ₈	Ø 52 mm
Diameter of waste hole	f ₉	Ø 52 mm
Distance bath edge (foot end) to start of grip	g ₁	722 mm
Distance bath edge (foot end) to end of grip	g ₂	978 mm
Distance foot end of bath edge to centre of foot	h ₂	545 mm
Distance between the feet	h ₄	605 mm
Width of feet max.	h ₆	465 mm
External radius	r ₁	8 mm
Water volume		122 l
Net weight		48 kg
Anti-slip		348 x 348 mm
Full anti-slip		876 x 252 mm