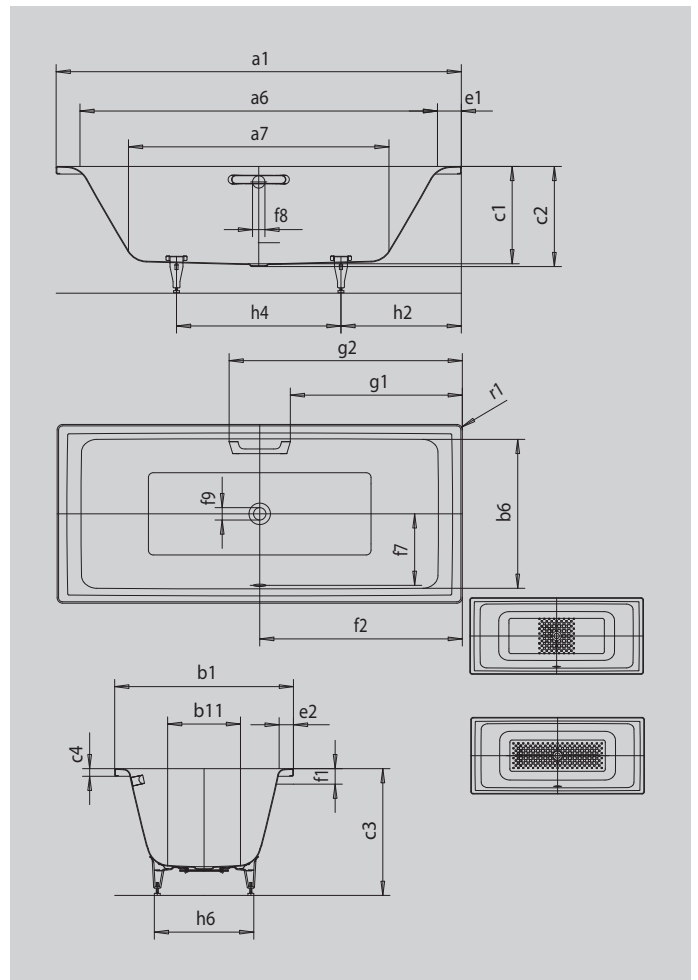


PURO DUO

- straightlined, purist design
- classic four-cornered model
- perfect match for the PURO model range
- bathing with a friend: two identical back rests and centrally positioned waste
- made of KALDEWEI steel enamel



Similar illustration



| | | |
|--|---------------------------------|--------------|
| Model | | 664 |
| External length | a ₁ | 1800 mm |
| Internal length (top) | a ₆ | 1600 mm |
| Internal length (bottom) | a ₇ | 1230 mm |
| External width | b ₁ | 800 mm |
| Internal width (top) | b ₆ | 680 mm |
| Internal width (bottom) | b ₁₁ | 510 mm |
| Depth inside | c ₁ | 410 mm |
| Depth incl. waste hole | c ₂ | 420 mm |
| Height with feet | c ₃ | 545 - 572 mm |
| Height of rim | c ₄ | 32 mm |
| Width of rim (foot end; long side) | e ₁ ; e ₂ | 100; 60 mm |
| Distance top edge to centre of overflow hole | f ₁ | 65 mm |
| Distance bath edge to centre of waste hole | f ₂ | 900 mm |
| Distance centre of waste hole to centre of overflow hole | f ₇ | 330 mm |
| Diameter of overflow hole | f ₈ | Ø 52 mm |
| Diameter of waste hole | f ₉ | Ø 52 mm |
| Distance bath edge (foot end) to start of grip | g ₁ | 772 mm |
| Distance bath edge (foot end) to end of grip | g ₂ | 1028 mm |
| Distance foot end of bath edge to centre of foot | h ₂ | 535 mm |
| Distance between the feet | h ₄ | 730 mm |
| Width of feet max. | h ₆ | 510 mm |
| External radius | r ₁ | 8 mm |
| Water volume | | 165 l |
| Net weight | | 54 kg |
| Anti-slip | | 348 x 348 mm |
| Full anti-slip | | 924 x 348 mm |