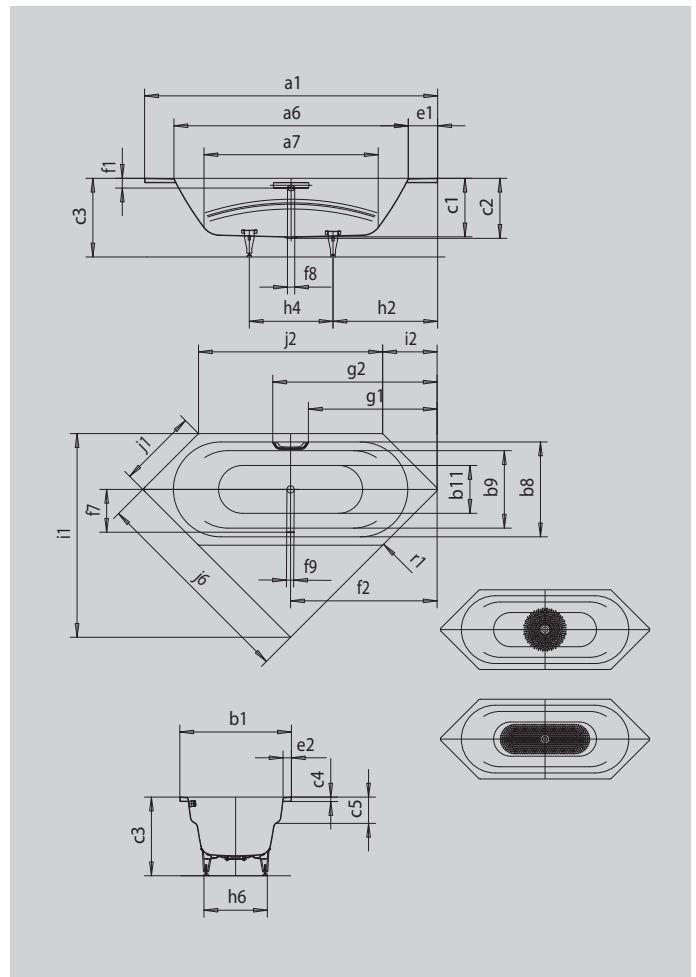


VAIO DUO 6

- diverse installation possibilities, also corner installation
- with integrated arm rests
- bathing with a friend: two identical back rests and centrally positioned waste
- made of KALDEWEI steel enamel



Similar illustration



Model		952
External length	a_1	2100 mm
Internal length (top)	a_6	1680 mm
Internal length (bottom)	a_7	1248 mm
External width	b_1	800 mm
Internal width (bottom)	b_{11}	496 mm
Internal width bathing area (with; without armrest)	$b_9; b_8$	680; 555 mm
Depth inside	c_1	420 mm
Depth incl. waste hole	c_2	430 mm
Height with feet	c_3	550 - 590 mm
Height of rim	c_4	32 mm
Armrest depth	c_5	180 mm
Width of rim (foot end; long side)	$e_1; e_2$	210; 60 mm
Distance top edge to centre of overflow hole	f_1	70 mm
Distance bath edge to centre of waste hole	f_2	1050 mm
Distance centre of waste hole to centre of overflow hole	f_7	332 mm
Diameter of overflow hole	f_8	Ø 52 mm
Diameter of waste hole	f_9	Ø 52 mm
Distance bath edge (foot end) to start of grip	g_1	923 mm
Distance bath edge (foot end) to end of grip	g_2	1178 mm
Distance foot end of bath edge to centre of foot	h_2	750 mm
Distance between the feet	h_4	600 mm
Width of feet max.	h_6	455 mm
Installation dimension	i_1	1460 mm
Angled edge	i_2	390 mm
Side length	j_6	1499 mm
Length of sides	$j_1; j_2$	566; 1320 mm
External radius	r_1	23 mm
Water volume		155 l
Net weight		50 kg
Diameter of anti-slip		Ø 435 mm
Full anti-slip		900 x 300 mm