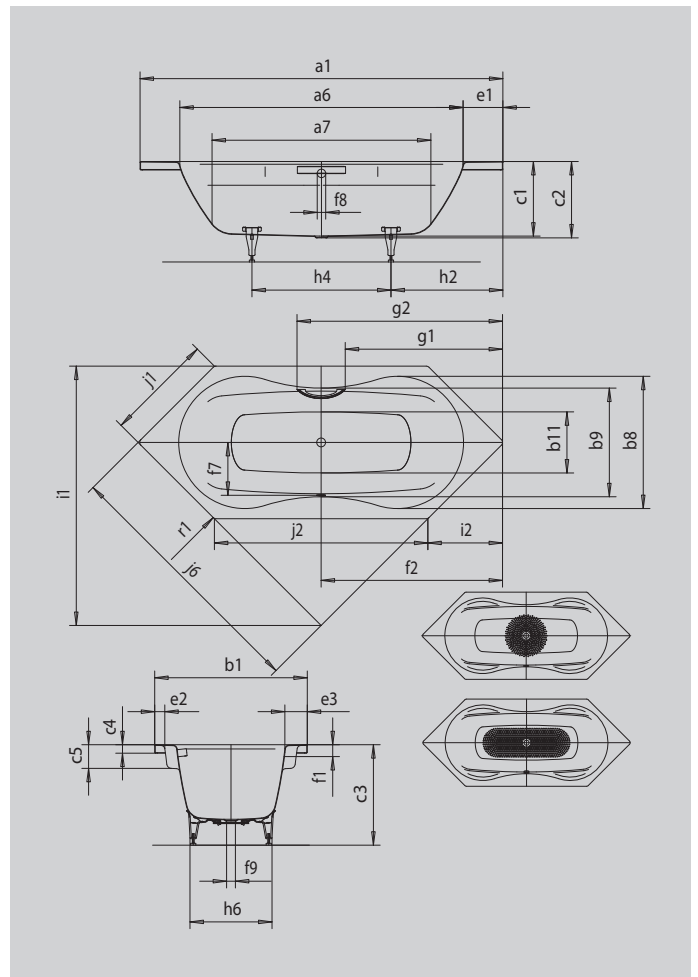


MEGA DUO 6

- bathing with a friend: two identical back rests and centrally positioned waste
- wide arm rests on both sides provide optimum bathing comfort
- diverse installation possibilities, also corner installation
- made of KALDEWEI steel enamel



Similar illustration



GRIP DISCREET OPULENCE



Model		182
External length	a ₁	2140 mm
Internal length (top)	a ₆	1680 mm
Internal length (bottom)	a ₇	1290 mm
External width	b ₁	900 mm
Internal width (bottom)	b ₁₁	360 mm
Internal width bathing area (with; without armrest)	b ₈ ; b ₉	780; 640 mm
Depth inside	c ₁	440 mm
Depth incl. waste hole	c ₂	450 mm
Height with feet	c ₃	570 - 600 mm
Height of rim	c ₄	50 mm
Armrest depth	c ₅	140 mm
Width of rim long side	e ₃	130 mm
Width of rim (foot end; long side)	e ₁ ; e ₂	230; 60 mm
Distance top edge to centre of overflow hole	f ₁	70 mm
Distance bath edge to centre of waste hole	f ₂	1070 mm
Distance centre of waste hole to centre of overflow hole	f ₇	310 mm
Diameter of overflow hole	f ₈	Ø 52 mm
Diameter of waste hole	f ₉	Ø 52 mm
Distance bath edge (foot end) to start of grip	g ₁	928 mm
Distance bath edge (foot end) to end of grip	g ₂	1212 mm
Distance foot end of bath edge to centre of foot	h ₂	660 mm
Distance between the feet	h ₄	820 mm
Width of feet max.	h ₆	480 mm
Installation dimension	i ₁	1530 mm
Angled edge	i ₂	440 mm
Side length	j ₁	1527 mm
Length of sides	j ₁ ; j ₂	636; 1260 mm
External radius	r ₁	23 mm
Water volume		186 l
Net weight		60 kg
Diameter of anti-slip		Ø 435 mm
Full anti-slip		900 x 300 mm