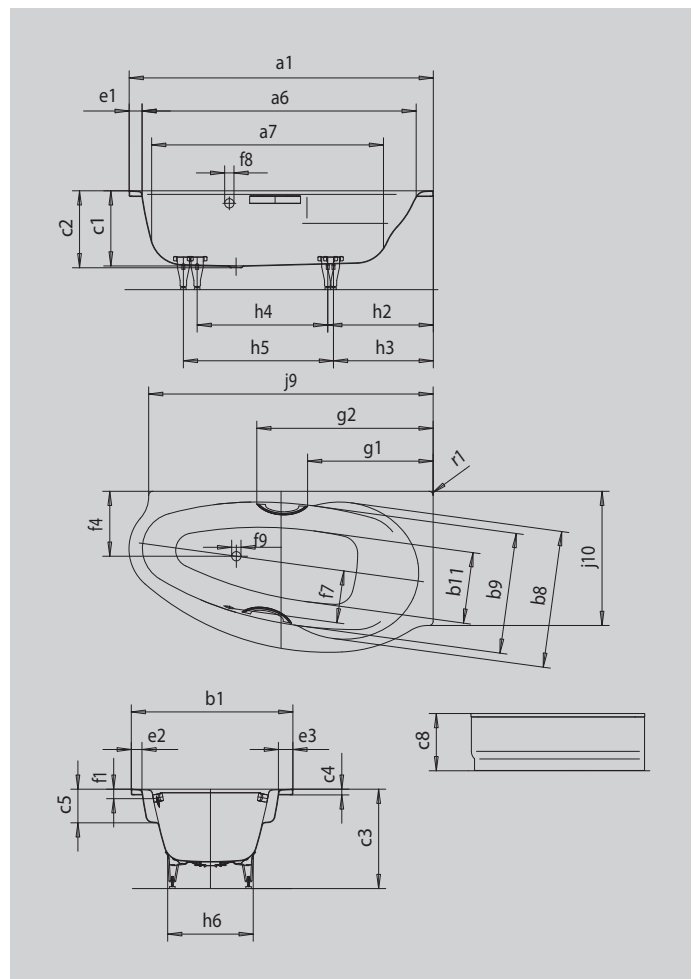


# STUDIO LEFT STUDIO STAR LEFT

- harmoniously designed corner bath with left and right installation options
- generously proportioned area for the back and integrated arm rests
- also available with panel and grips
- made of KALDEWEI steel enamel



Similar illustration



Model		829
External length	a <sub>1</sub>	1700 mm
Internal length (top)	a <sub>6</sub>	1545 mm
Internal length (bottom)	a <sub>7</sub>	1290 mm
External width	b <sub>1</sub>	900 mm
Internal width (bottom)	b <sub>11</sub>	340 mm
Internal width bathing area (with; without armrest)	b <sub>8</sub> ; b <sub>9</sub>	765; 675 mm
Depth inside	c <sub>1</sub>	420 mm
Depth incl. waste hole	c <sub>2</sub>	430 mm
Height with feet	c <sub>3</sub>	550 - 575 mm
Height of rim	c <sub>4</sub>	32 mm
Armrest depth	c <sub>5</sub>	200 mm
Height with support and panel	c <sub>8</sub>	560 mm
Width of rim long side	e <sub>3</sub>	140 mm
Width of rim (foot end; long side)	e <sub>1</sub> ; e <sub>2</sub>	75; 60 mm
Distance top edge to centre of overflow hole	f <sub>1</sub>	70 mm
Distance bath edge to centre of waste hole	f <sub>2</sub>	600 mm
Distance bath edge (lengthwise) to centre of waste hole	f <sub>4</sub>	363 mm
Distance centre of waste hole to centre of overflow hole	f <sub>7</sub>	290 mm
Diameter of overflow hole	f <sub>8</sub>	Ø 52 mm
Diameter of waste hole	f <sub>9</sub>	Ø 52 mm
Distance bath edge (foot end) to start of grip	g <sub>1</sub>	702 mm
Distance bath edge (foot end) to end of grip	g <sub>2</sub>	986 mm
Width of feet max.	h <sub>6</sub>	525 mm
Distance foot end of bath edge to centre of foot	h <sub>2</sub> ; h <sub>3</sub>	590; 558 mm
Distance between the feet	h <sub>4</sub> ; h <sub>5</sub>	745; 880 mm
Side length (long side)	j <sub>9</sub>	1590 mm
Side length (head end)	j <sub>10</sub>	750 mm
External radius	r <sub>1</sub>	23 mm
Water volume		149 l
Net weight		58 kg