

# MEISTERSTÜCK

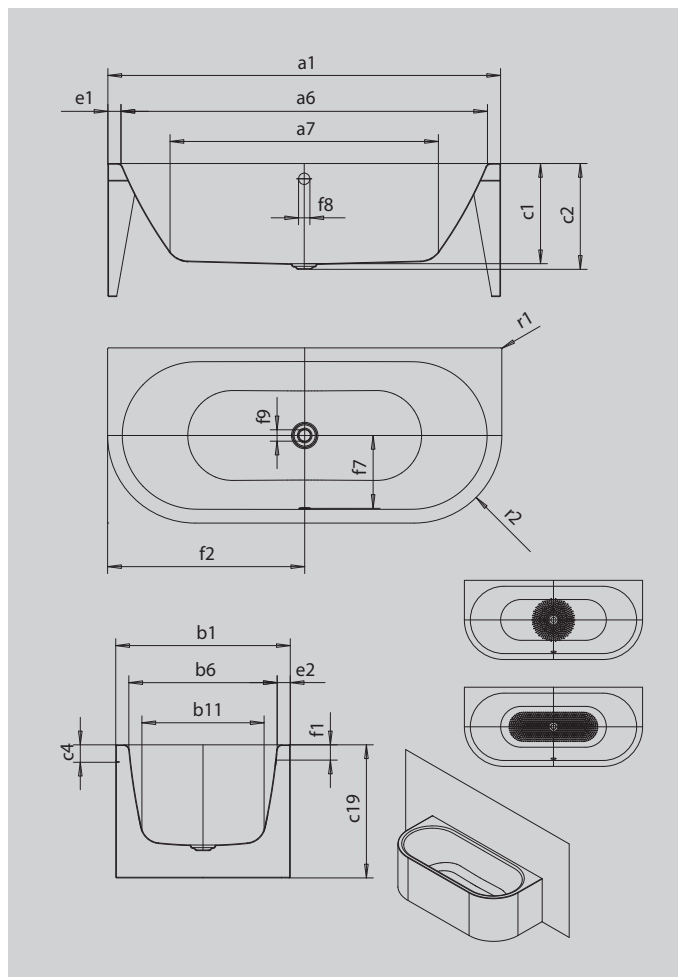
## CENTRO DUO 2

### FRONT WALL INSTALLATION (3-SIDED)

- bath made of high-quality steel enamel with enamelled panelling on three sides
- with exclusive easy-clean finish
- pure simplicity and unpretentious elegance are what distinguish these baths
- enamelled waste cover and overflow knob integrated in the bath design (also available with filling function)
- made of KALDEWEI steel enamel



Similar illustration



Model		1135
External length	a <sub>1</sub>	1800 mm
Internal length (top)	a <sub>6</sub>	1680 mm
Internal length (bottom)	a <sub>7</sub>	1230 mm
External width	b <sub>1</sub>	800 mm
Internal width (top)	b <sub>6</sub>	680 mm
Internal width (bottom)	b <sub>11</sub>	560 mm
Depth inside	c <sub>1</sub>	460 mm
Depth incl. waste hole	c <sub>2</sub>	485 mm
Height of rim	c <sub>4</sub>	80 mm
Height of bath	c <sub>19</sub>	610 mm
Width of rim (foot end; long side)	e <sub>1</sub> ; e <sub>2</sub>	60; 60 mm
Distance top edge to centre of overflow hole	f <sub>1</sub>	70 mm
Distance bath edge to centre of waste hole	f <sub>2</sub>	900 mm
Distance centre of waste hole to centre of overflow hole	f <sub>7</sub>	332 mm
Diameter of overflow hole	f <sub>8</sub>	Ø 52 mm
Diameter of waste hole	f <sub>9</sub>	Ø 52 mm
External radius	r <sub>1</sub>	5 mm
External radius	r <sub>2</sub>	400 mm
Water volume		195 l
Waste connection diameter		Ø 40/50
Fill fitting connection		1/2"
Net weight		114 kg
Diameter of anti-slip		Ø 435 mm
Full anti-slip		900 x 300 mm