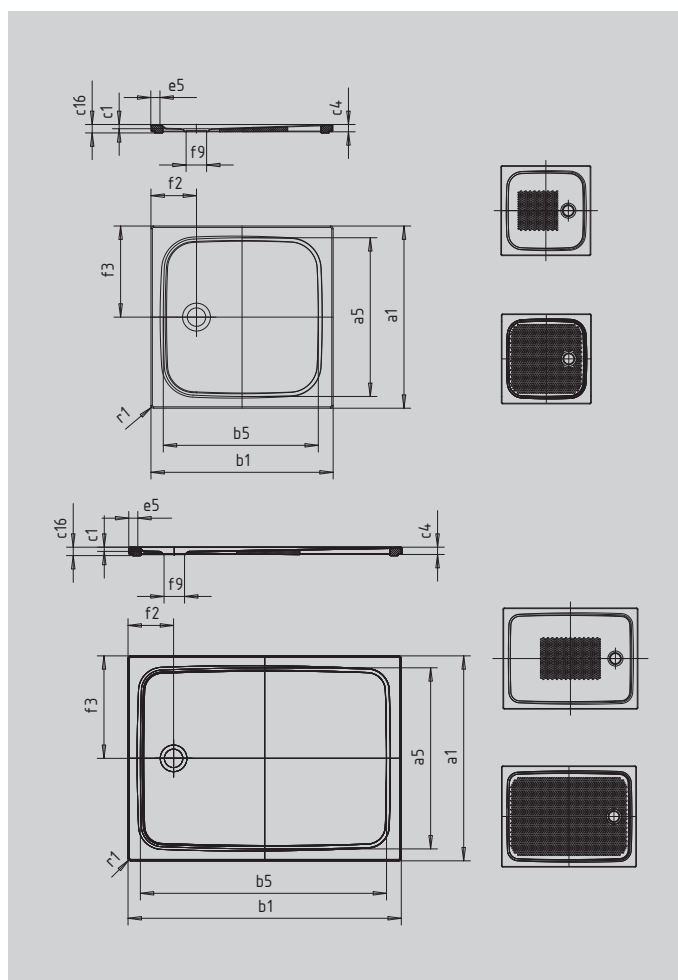


CAYONOPLAN WITH LOW PROFILE SUPPORT

- floor-level shower
- classic design with inner contour
- perfect match for the CAYONO model range
- large standing area with central waste at short side
- made of KALDEWEI steel enamel



Similar illustration



SECURE⁺

| | | |
|--|------------|---------------|
| Model | | 2262 |
| External length | a_1 | 800 mm |
| Internal length | a_5 | 690 mm |
| External width | b_1 | 1200 mm |
| Internal width | b_5 | 1090 mm |
| Depth inside | c_1 | 18 mm |
| Height of rim | c_4 | 32 mm |
| Height with low-profile support | c_{16} | 37 mm |
| Width of rim | e_5 | 50 mm |
| Diameter of waste hole | f_9 | Ø90 mm |
| Distance bath edge to centre of waste hole | f_2, f_3 | 200; 400 mm |
| External radius | r_1 | 12 mm |
| Net weight | | 25 kg |
| Anti-slip | | 375 x 535 mm |
| Full anti-slip | | 615 x 1035 mm |
| SECURE PLUS | | full base |

KALDEWEI