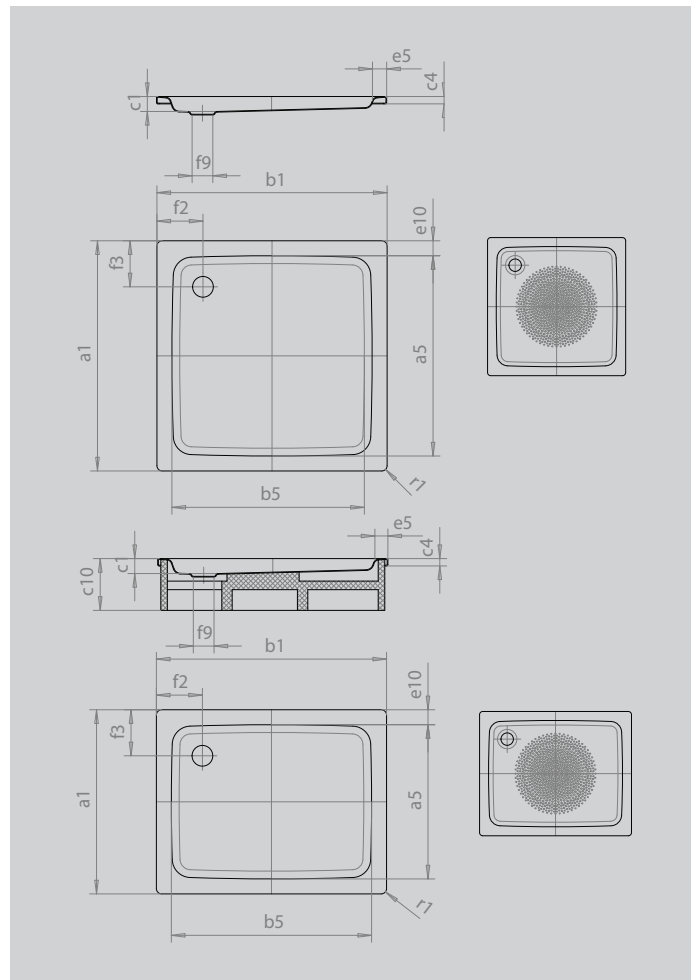


DUSCHPLAN

- a classic among shower trays
- modern, clear design only 65 mm deep
- available in rectangular or square design
- made of KALDEWEI steel enamel
- flush-fitting recessed waste cover (only in combination with the KA 90 waste fittings)



Similar illustration



Model		421
External length	a_1	1000 mm
Internal length	a_5	870 mm
External width	b_1	1200 mm
Internal width	b_5	1070 mm
Depth inside	c_1	65 mm
Height of rim	c_4	32 mm
Height with support	c_{10}	160 mm
Height with low-profile support	c_{16}	49 mm
Width of rim	e_5	65 mm
Diameter of waste hole	f_9	Ø 90 mm
Distance bath edge to centre of waste hole	$f_2; f_3$	200; 200 mm
External radius	r_1	12 mm
Net weight		35 kg
Diameter of anti-slip		Ø 588 mm