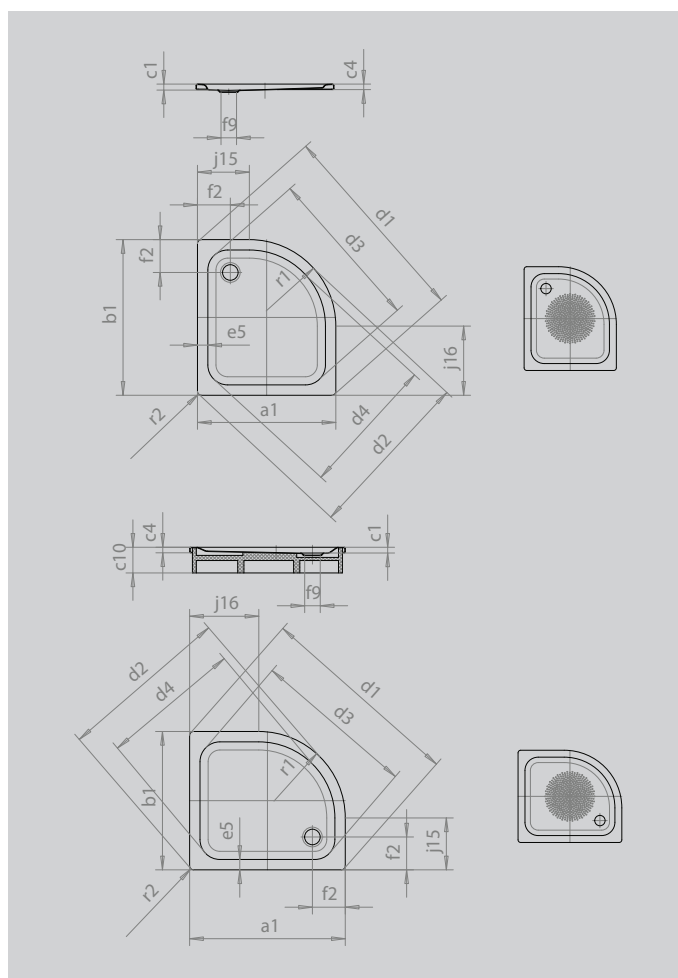


# ZIRKON

- clear design, large standing area
- side waste
- elegant, functional quadrant form allows it to be intelligently installed even in the smallest of spaces
- made of KALDEWEI steel enamel
- flush-fitting recessed waste cover (only in combination with the KA 90 waste fittings)



Similar illustration



Model		501
External length	$a_1$	900 mm
External width	$b_1$	750 mm
Depth inside	$c_1$	35 mm
Height of rim	$c_4$	32 mm
Height with low-profile support	$c_{16}$	49 mm
Width across corners - external length	$d_1$	1155 mm
Width across corners - external width	$d_2$	964 mm
Width across corners - internal length	$d_3$	910 mm
Width across corners - internal width	$d_4$	792 mm
Width of rim	$e_5$	55 mm
Distance bath edge to centre of waste hole	$f_2$	190 mm
Diameter of waste hole	$f_9$	Ø 90 mm
Side length	$j_{15}$	400 mm
Side length	$j_{16}$	250 mm
External radius	$r_1$	500 mm
External radius	$r_2$	23 mm
Net weight		17 kg
Diameter of anti-slip		Ø 435 mm