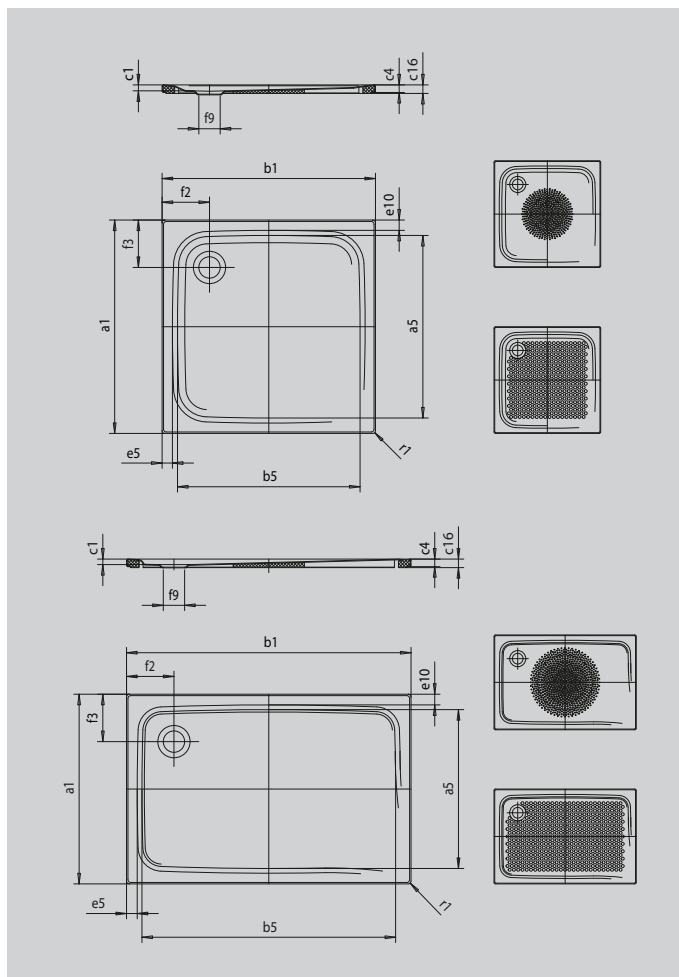


# SUPERPLAN WITH LOW PROFILE SUPPORT

- exclusive, elegant design
- made of KALDEWEI steel enamel
- flush-fitting recessed waste cover (only in combination with the KA 90 waste fittings)



Similar illustration



SECURE<sup>+</sup>

Model		385
External length	$a_1$	750 mm
Internal length	$a_5$	650 mm
External width	$b_1$	800 mm
Internal width	$b_5$	700 mm
Depth inside	$c_1$	25 mm
Height of rim	$c_4$	32 mm
Height with low-profile support	$c_{16}$	37 mm
Width of rim	$e_{10}, e_5$	50; 50 mm
Diameter of waste hole	$f_9$	Ø 90 mm
Distance bath edge to centre of waste hole	$f_2, f_3$	200; 200 mm
External radius	$r_1$	12 mm
Net weight		16 kg
Diameter of anti-slip		Ø 435 mm
Full anti-slip		524 x 565 mm
SECURE PLUS		full base

**KALDEWEI**