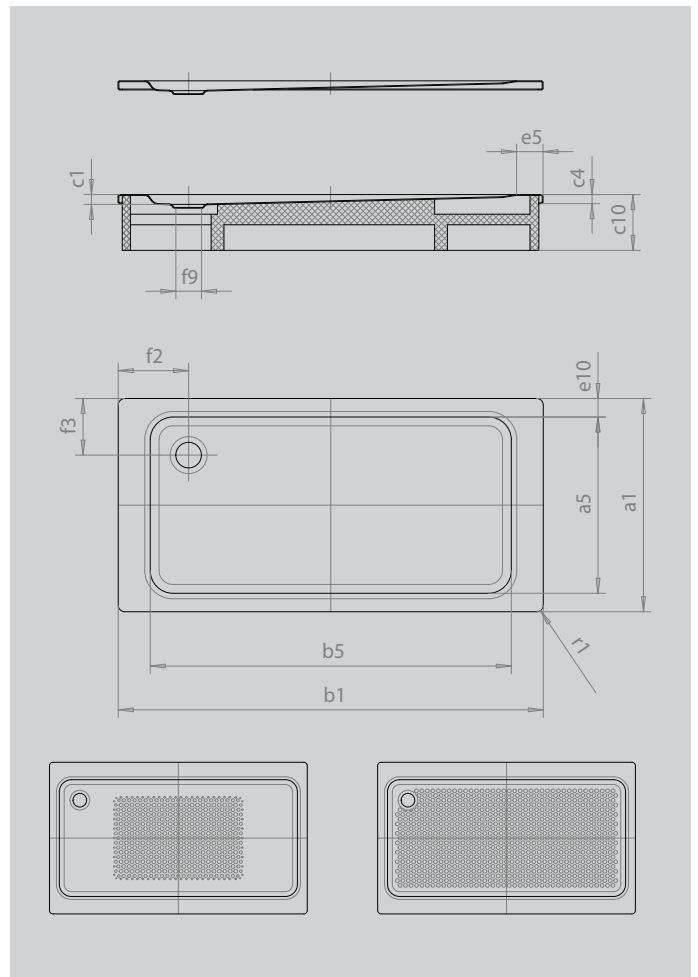


# SUPERPLAN

- exclusive, elegant design
- made of KALDEWEI steel enamel
- flush-fitting recessed waste cover (only in combination with the KA 90 waste fittings)



Similar illustration



SECURE<sup>+</sup>

Model		444
External length	$a_1$	1000 mm
Internal length	$a_5$	790 mm
External width	$b_1$	1700 mm
Internal width	$b_5$	1590 mm
Depth inside	$c_1$	51 mm
Height of rim	$c_4$	32 mm
Height with low-profile support	$c_{16}$	
Width of rim	$e_{10}, e_5$	100; 50 mm
Diameter of waste hole	$f_9$	Ø 90 mm
Distance bath edge to centre of waste hole	$f_2, f_3$	200; 250 mm
External radius	$r_1$	12 mm
Net weight		44 kg
Anti-slip		549 x 856 mm
Full anti-slip		649 x 1465 mm
SECURE PLUS		full base

**KALDEWEI**