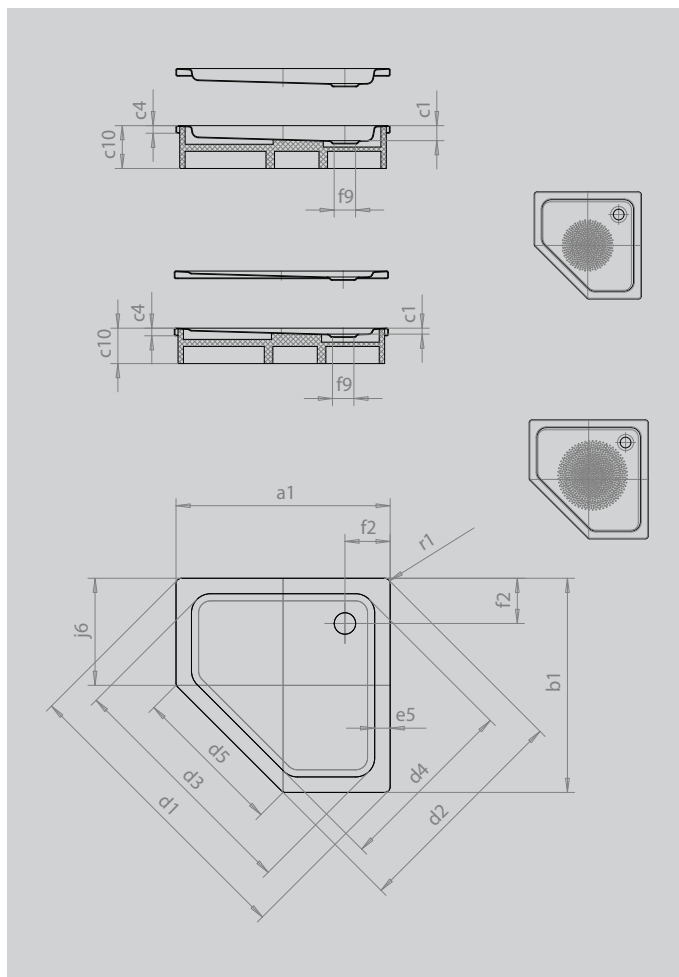


CORNEZZA

- striking pentagonal shower tray
- space-saving shape
- generous standing area with lots of room to move when showering
- elegant corner solution
- made of KALDEWEI steel enamel
- flush-fitting recessed waste cover (only in combination with the KA 90 waste fittings)



Similar illustration



| | | |
|--|----------|---------|
| Model | | 670 |
| External length | a_1 | 900 mm |
| External width | b_1 | 900 mm |
| Depth inside | c_1 | 25 mm |
| Height of rim | c_4 | 32 mm |
| Height with low-profile support | c_{16} | 49 mm |
| Width across corners - external length | d_1 | 1254 mm |
| Width across corners - external width | d_2 | 945 mm |
| Width across corners - internal length | d_3 | 1023 mm |
| Width across corners - internal width | d_4 | 765 mm |
| Width of access area | d_5 | 636 mm |
| Width of rim | e_5 | 65 mm |
| Distance bath edge to centre of waste hole | f_2 | 190 mm |
| Diameter of waste hole | f_9 | Ø90 mm |
| Side length | j_6 | 450 mm |
| External radius | r_1 | 23 mm |
| Net weight | | 19 kg |
| Diameter of anti-slip | | Ø435 mm |