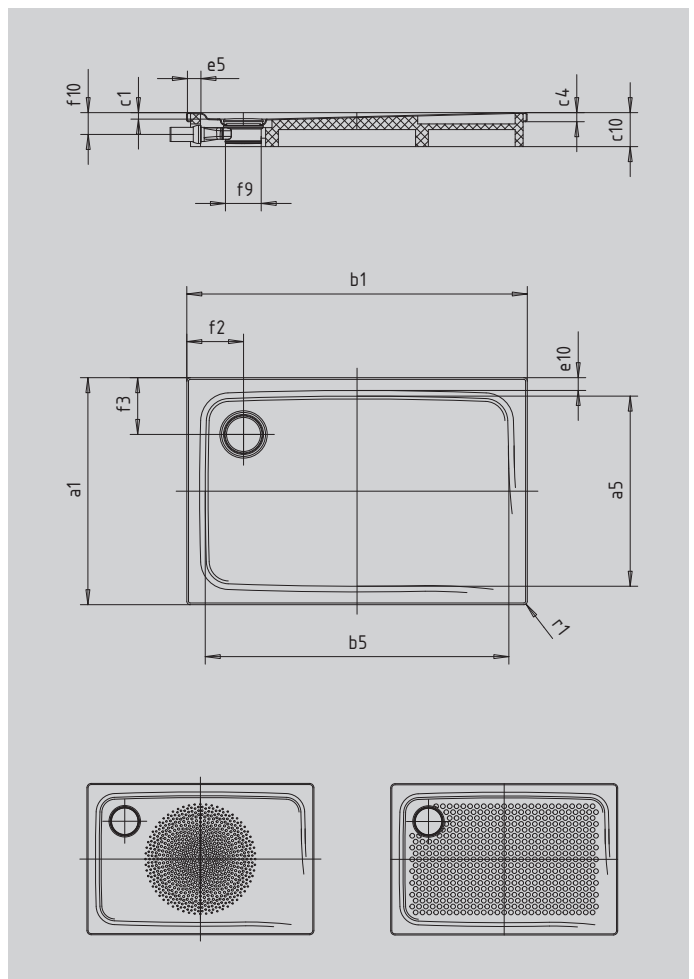


SUPERPLAN PLUS

- elegant, puristic design
- can be installed to be absolutely flush with the floor
- maximum standing comfort thanks to the flat enamelled waste cover that is set flush in the shower tray
- made of KALDEWEI steel enamel



Similar illustration



SECURE⁺

Model		483
External length	a_1	800 mm
Internal length	a_5	700 mm
External width	b_1	1200 mm
Internal width	b_5	1100 mm
Depth inside	c_1	25 mm
Height of rim	c_4	32 mm
Height with support	c_{10}	120 mm
Height with low-profile support	c_{16}	49 mm
Total height (height with bottle trap)	c_{17}	109 mm
Width of rim	e_{10}, e_5	50; 50 mm
Diameter of waste hole	f_9	Ø 120 mm
Bottle trap connection height	f_{10}	78 mm
Distance bath edge to centre of waste hole	f_2, f_3	200; 200 mm
External radius	r_1	12 mm
Net weight		26 kg
Diameter of anti-slip		Ø 588 mm
Full anti-slip		586 x 997 mm
SECURE PLUS		full base

KALDEWEI