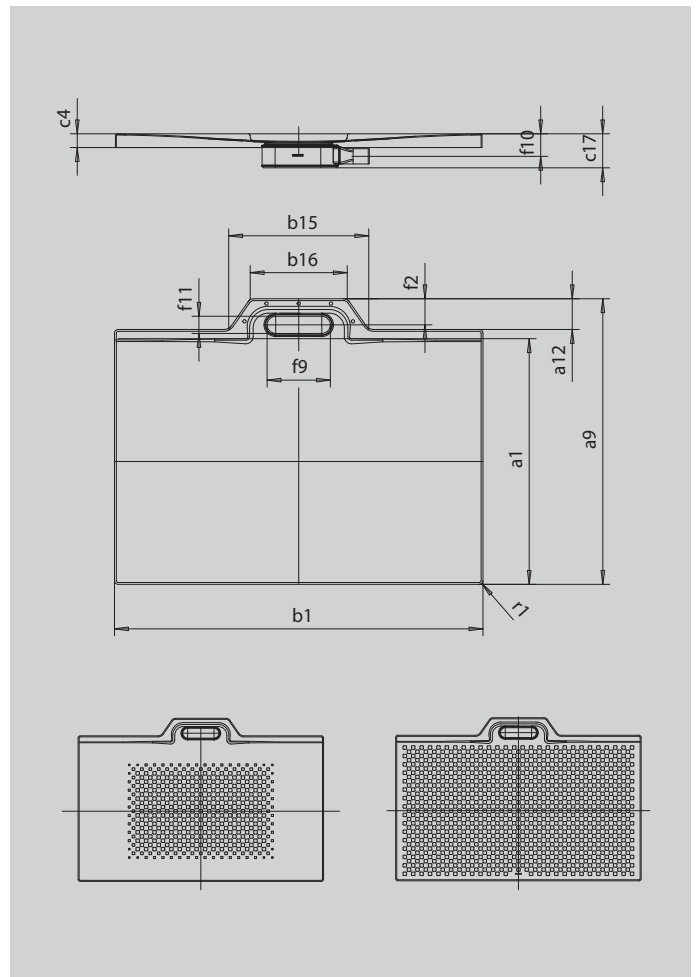


# XETIS

- Puristic, uniform surface with no distracting elements
- Barrier-free access thanks to floor-flush integration
- Protection against moisture penetration because of the joint-free surface
- Integrated slope ensures perfect water drainage
- Assembly-friendly systems solution – all components are perfectly compatible with one another
- made of KALDEWEI steel enamel
- only for floor-level installation



Similar illustration



SECURE<sup>+</sup>

Model		897
External length	$a_1$	1000 mm
Total length incl. waste area	$a_9$	1130 mm
Length of waste area	$a_{12}$	100 mm
External width	$b_1$	1800 mm
Width of waste area Dimension a	$b_{15}$	460 mm
Width of waste area Dimension b	$b_{16}$	320 mm
Height of rim	$c_4$	45 mm
Height with low-profile support	$c_{16}$	49 mm
Total height (height with bottle trap)	$c_{17}$	112 mm
Distance bath edge to centre of waste hole	$f_2$	85 mm
Diameter of waste hole	$f_9$	Ø 205 mm
Bottle trap connection height	$f_{10}$	74 mm
Diameter of waste hole	$f_{11}$	Ø 55 mm
External radius	$r_1$	12 mm
Net weight		48 kg
Anti-slip		540 x 1020 mm
Full anti-slip		932 x 1748 mm
SECURE PLUS		full base

**KALDEWEI**