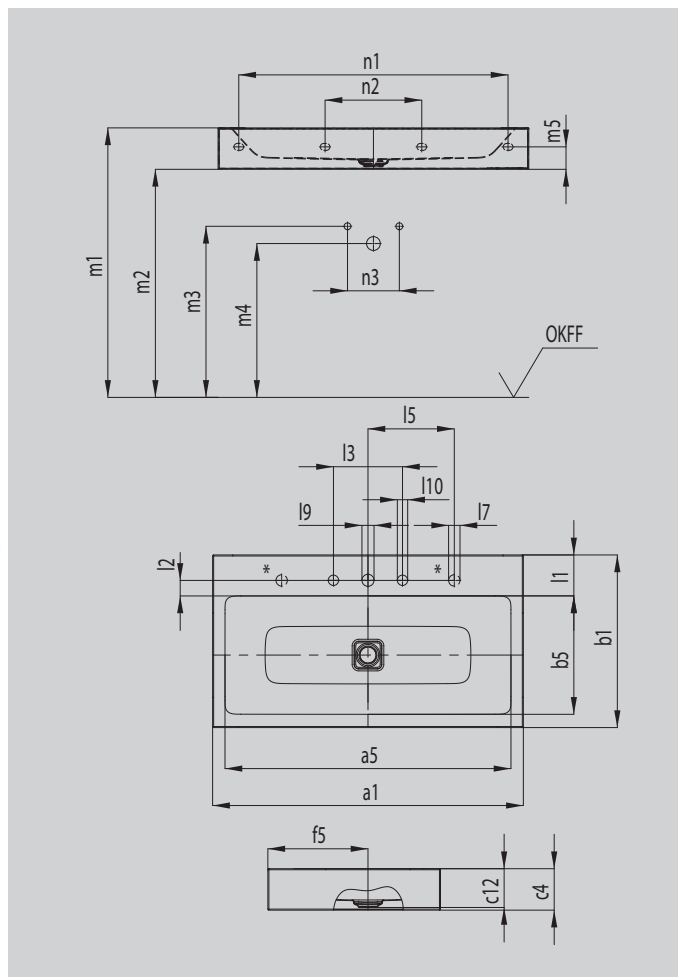


CONO WALL-HUNG WASHBASIN

- washbasin with premium character exudes elegance and harmony
- optimally integrated enamelled waste accentuates the underlying geometry of the washbasin
- perfectly complements the CONO range
- unusually generous rim provides space for fittings or individual accessories



Similar illustration



* Rotary knob hole for waste and overflow valve CLOU with cable pull and rotary knob optionally on the right or left

| Model | | 3079 |
|---|----------|--------------|
| External length | a_1 | 500 mm |
| Internal length | a_5 | 432 mm |
| External width | b_1 | 500 mm |
| Internal width | b_5 | 348 mm |
| Height of rim | c_4 | 120 mm |
| Distance basin surface to bottom edge of waste hole | c_{12} | 112 mm |
| Distance rear edge to centre of waste hole | f_5 | 290 mm |
| Depth of tap deck | l_1 | 116 mm |
| Distance tap holes to edge | l_2 | 45 mm |
| Distance external tap holes (for 3 tap holes) | l_3 | 200 mm |
| Distance tap hole to centre of control knob hole | l_5 | 200 mm |
| Diameter of control knob hole | l_7 | Ø 33 mm |
| Diameter of centre tap hole | l_9 | Ø 35 mm |
| Diameter of outside tap hole (for 3 tap holes only) | l_{10} | Ø 30 mm |
| Distance FF to top edge basin surface | m_1 | 820 - 850 mm |
| Distance FF to bottom edge | m_2 | 700 - 730 mm |
| Distance FF to centre of water inlet | m_3 | 570 - 600 mm |
| Distance FF to centre of waste hole wall connection | m_4 | 520 - 580 mm |
| Distance bottom edge to centre of fixing hole | m_5 | 65 mm |
| Internal distance of fixing holes | n_2 | 280 mm |
| Distance hot/cold water inlet | n_3 | 80 - 150 mm |
| Net weight | | 12 kg |