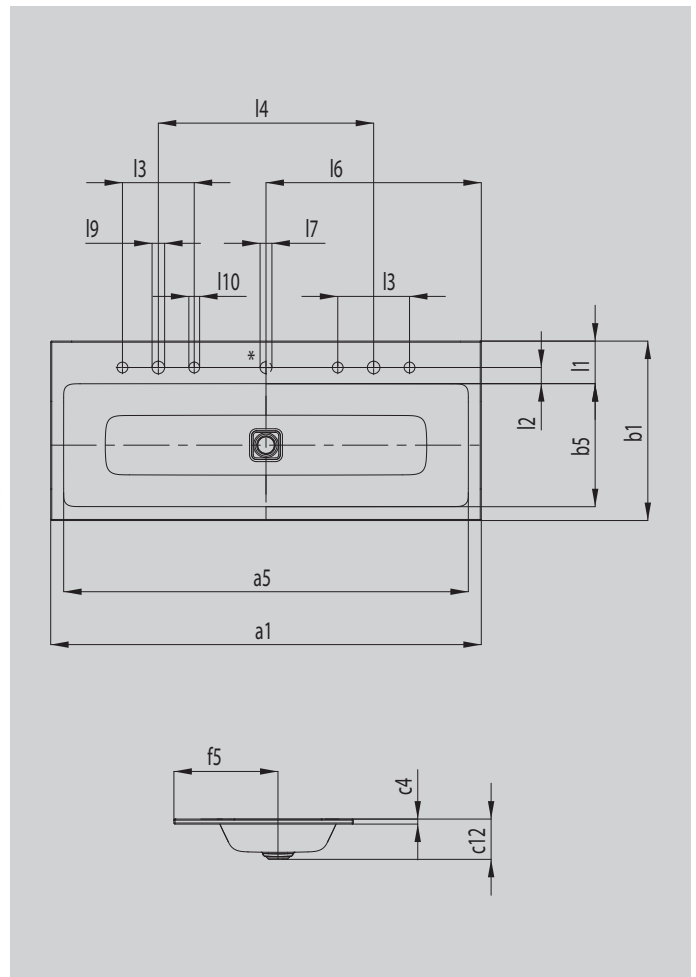


# CONO BUILT-IN DOUBLE WASHBASIN

- washbasin with premium character exudes elegance and harmony
- optimally integrated enamelled waste accentuates the underlying geometry of the washbasin
- perfectly complements the CONO range
- unusually generous rim provides space for fittings or individual accessories



Similar illustration



\* Rotary knob holes for waste and overflow valve CLOU with cable pull and rotary knob

Model		3082
External length	$a_1$	1200 mm
Internal length	$a_5$	1128 mm
External width	$b_1$	500 mm
Internal width	$b_5$	343 mm
Height of rim	$c_4$	14 mm
Distance basin surface to bottom edge of waste hole	$c_{12}$	112 mm
Distance rear edge to centre of waste hole	$f_5$	290 mm
Depth of tap deck	$l_1$	116 mm
Distance tap holes to edge	$l_2$	45 mm
Distance external tap holes (for 3 tap holes)	$l_3$	200 mm
Distance between tap holes	$l_4$	600 mm
Distance centre of control knob hole to rear edge	$l_6$	600 mm
Diameter of control knob hole	$l_7$	Ø 33 mm
Diameter of centre tap hole	$l_9$	Ø 35 mm
Diameter of outside tap hole (for 3 tap holes only)	$l_{10}$	Ø 30 mm
Net weight		14 kg