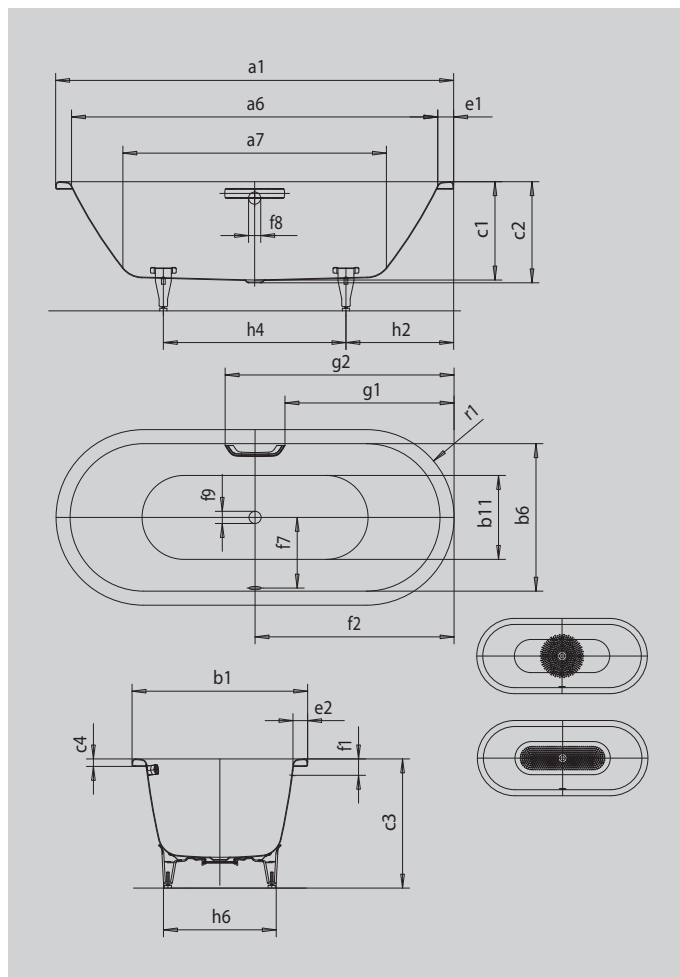


# CLASSIC DUO OVAL

- pure simplicity and unpretentious elegance are what distinguish these baths
- bathing with a friend: two identical back rests and centrally positioned waste
- made of KALDEWEI steel enamel



Similar illustration



## GRIP DISCREET OPULENCE



Model		111
External length	$a_1$	1800 mm
Internal length (top)	$a_6$	1680 mm
Internal length (bottom)	$a_7$	1230 mm
External width	$b_1$	800 mm
Internal width (top)	$b_6$	680 mm
Internal width (bottom)	$b_{11}$	550 mm
Depth inside	$c_1$	420 mm
Depth incl. waste hole	$c_2$	430 mm
Height with feet	$c_3$	555 - 590 mm
Height of rim	$c_4$	32 mm
Width of rim (foot end; long side)	$e_1; e_2$	60; 60 mm
Distance top edge to centre of overflow hole	$f_1$	70 mm
Distance bath edge to centre of waste hole	$f_2$	900 mm
Distance centre of waste hole to centre of overflow hole	$f_7$	330 mm
Diameter of overflow hole	$f_8$	Ø 52 mm
Diameter of waste hole	$f_9$	Ø 52 mm
Distance bath edge (foot end) to start of grip	$g_1$	772 mm
Distance bath edge (foot end) to end of grip	$g_2$	1028 mm
Distance foot end of bath edge to centre of foot	$h_2$	600 mm
Distance between the feet	$h_4$	600 mm
Width of feet max.	$h_6$	540 mm
External radius	$r_1$	400 mm
Water volume		158 l
Net weight		50 kg
Diameter of anti-slip		Ø 435 mm
Full anti-slip		900 x 300 mm