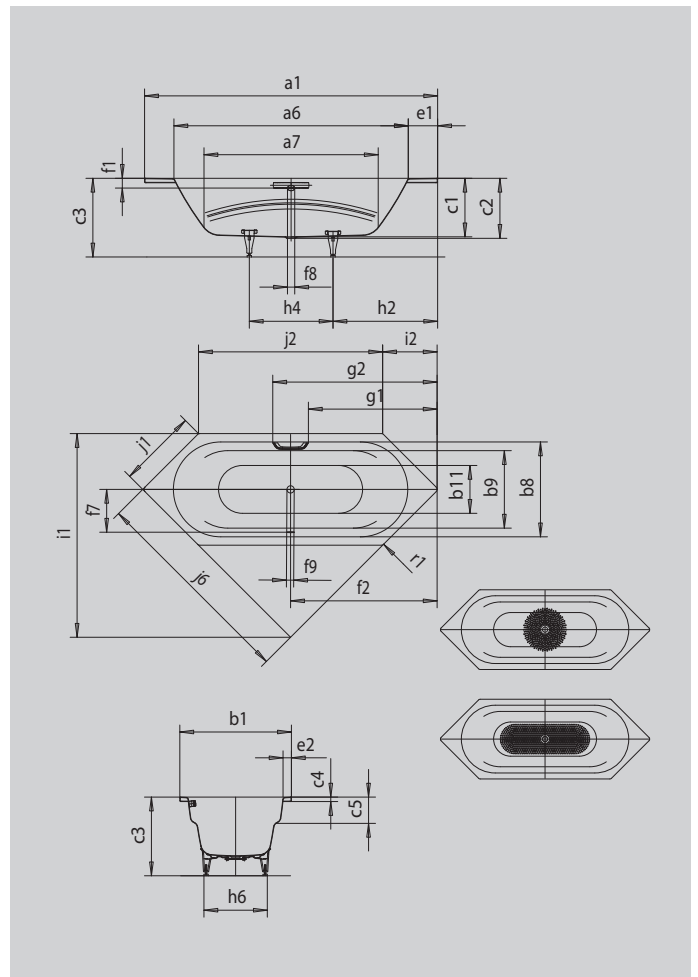


VAIO DUO 6

- diverse installation possibilities, also corner installation
- with integrated arm rests
- bathing with a friend: two identical back rests and centrally positioned waste
- made of KALDEWEI steel enamel



Similar illustration



GRIP DISCREET OPULENCE



| Model | | 952 |
|--|---------------------------------|--------------|
| External length | a ₁ | 2100 mm |
| Internal length (top) | a ₆ | 1680 mm |
| Internal length (bottom) | a ₇ | 1248 mm |
| External width | b ₁ | 800 mm |
| Internal width (bottom) | b ₁₁ | 496 mm |
| Internal width bathing area (with; without armrest) | b ₈ ; b ₉ | 680; 555 mm |
| Depth inside | c ₁ | 420 mm |
| Depth incl. waste hole | c ₂ | 430 mm |
| Height with feet | c ₃ | 550 - 590 mm |
| Height of rim | c ₄ | 32 mm |
| Armrest depth | c ₅ | 180 mm |
| Width of rim (foot end; long side) | e ₁ ; e ₂ | 210; 60 mm |
| Distance top edge to centre of overflow hole | f ₁ | 70 mm |
| Distance bath edge to centre of waste hole | f ₂ | 1050 mm |
| Distance centre of waste hole to centre of overflow hole | f ₇ | 332 mm |
| Diameter of overflow hole | f ₈ | Ø 52 mm |
| Diameter of waste hole | f ₉ | Ø 52 mm |
| Distance bath edge (foot end) to start of grip | g ₁ | 923 mm |
| Distance bath edge (foot end) to end of grip | g ₂ | 1178 mm |
| Distance foot end of bath edge to centre of foot | h ₂ | 750 mm |
| Distance between the feet | h ₄ | 600 mm |
| Width of feet max. | h ₆ | 455 mm |
| Installation dimension | i ₁ | 1460 mm |
| Angled edge | i ₂ | 390 mm |
| Side length | j ₆ | 1499 mm |
| Length of sides | j ₁ ; j ₂ | 566; 1320 mm |
| External radius | r ₁ | 23 mm |
| Water volume | | 155 l |
| Net weight | | 50 kg |
| Diameter of anti-slip | | Ø 435 mm |
| Full anti-slip | | 900 x 300 mm |