

MEISTERSTÜCK

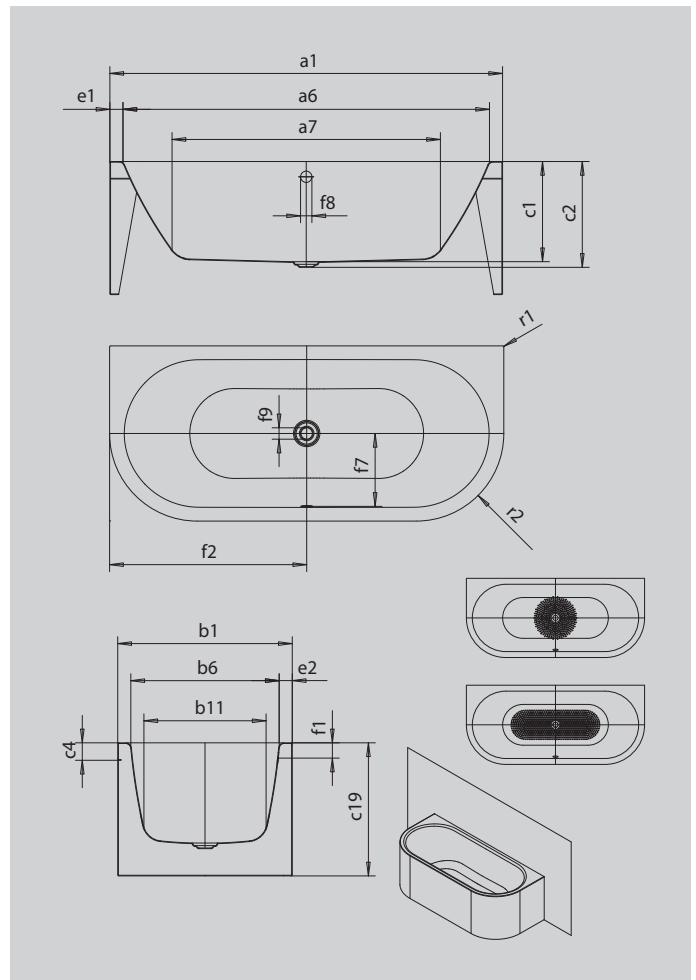
CENTRO DUO 2

FRONT WALL INSTALLATION (3-SIDED)

- bath made of high-quality steel enamel with enamelled panelling on three sides
- with exclusive easy-clean finish
- pure simplicity and unpretentious elegance are what distinguish these baths
- enamelled waste cover and overflow knob integrated in the bath design (also available with filling function)
- made of KALDEWEI steel enamel



Similar illustration



| Model | | 1135 |
|--|------------|--------------|
| External length | a_1 | 1800 mm |
| Internal length (top) | a_6 | 1680 mm |
| Internal length (bottom) | a_7 | 1230 mm |
| External width | b_1 | 800 mm |
| Internal width (top) | b_6 | 680 mm |
| Internal width (bottom) | b_{11} | 560 mm |
| Depth inside | c_1 | 460 mm |
| Depth incl. waste hole | c_2 | 485 mm |
| Height of rim | c_4 | 80 mm |
| Height of bath | c_{19} | 610 mm |
| Width of rim (foot end; long side) | $e_1; e_2$ | 60; 60 mm |
| Distance top edge to centre of overflow hole | f_1 | 70 mm |
| Distance bath edge to centre of waste hole | f_2 | 900 mm |
| Distance centre of waste hole to centre of overflow hole | f_7 | 332 mm |
| Diameter of overflow hole | f_8 | Ø 52 mm |
| Diameter of waste hole | f_9 | Ø 52 mm |
| External radius | r_1 | 5 mm |
| External radius | r_2 | 400 mm |
| Fill fitting connection | | 3/4" |
| Waste connection diameter | | Ø 40/50 |
| Water volume | | 195 l |
| Net weight | | 114 kg |
| Diameter of anti-slip | | Ø 435 mm |
| Full anti-slip | | 900 x 300 mm |