

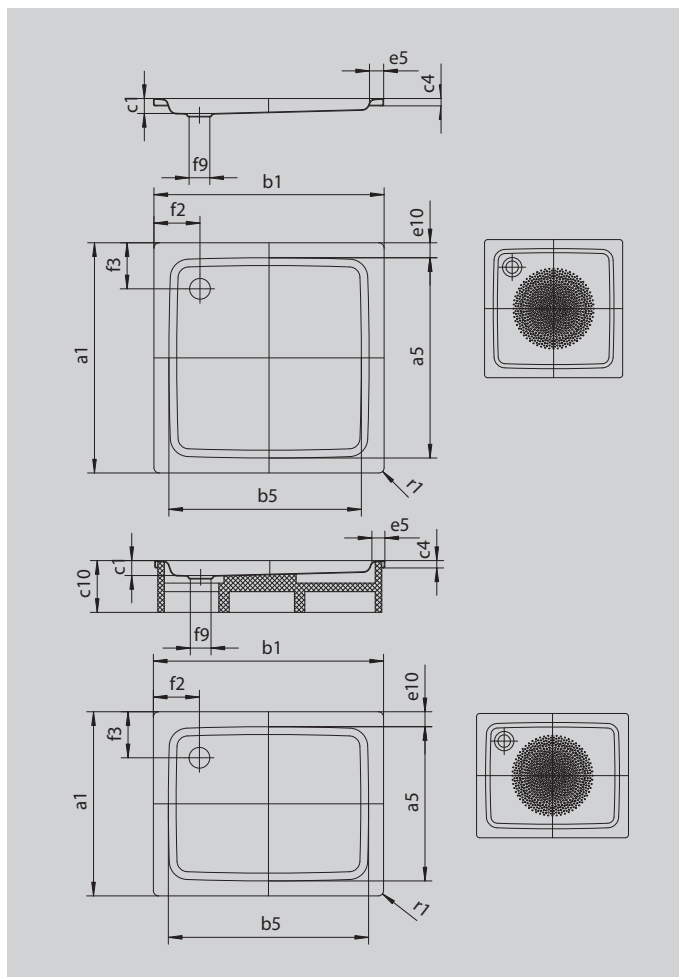
DUSCHPLAN

- a classic among shower trays
- modern, clear design only 65 mm deep
- available in rectangular or square design
- made of KALDEWEI steel enamel
- flush-fitting recessed waste cover (only in combination with the KA 90 waste fittings)



Similar illustration

Model 417	KA 90 horizontal	KA 90 flat	KA 90 vertical
Total height	145	125	49
Fitting height	80	60	80



Model		417
External length	a_1	750 mm
Internal length	a_5	570 mm
External width	b_1	1200 mm
Internal width	b_5	1070 mm
Depth inside	c_1	65 mm
Height of rim	c_4	32 mm
Width of rim	e_{10}, e_5	90; 65 mm
Diameter of waste hole	f_9	Ø 90 mm
Distance bath edge to centre of waste hole	$f_2; f_3$	200; 225 mm
External radius	r_1	12 mm
Net weight		25 kg
Diameter of anti-slip		Ø 435 mm