

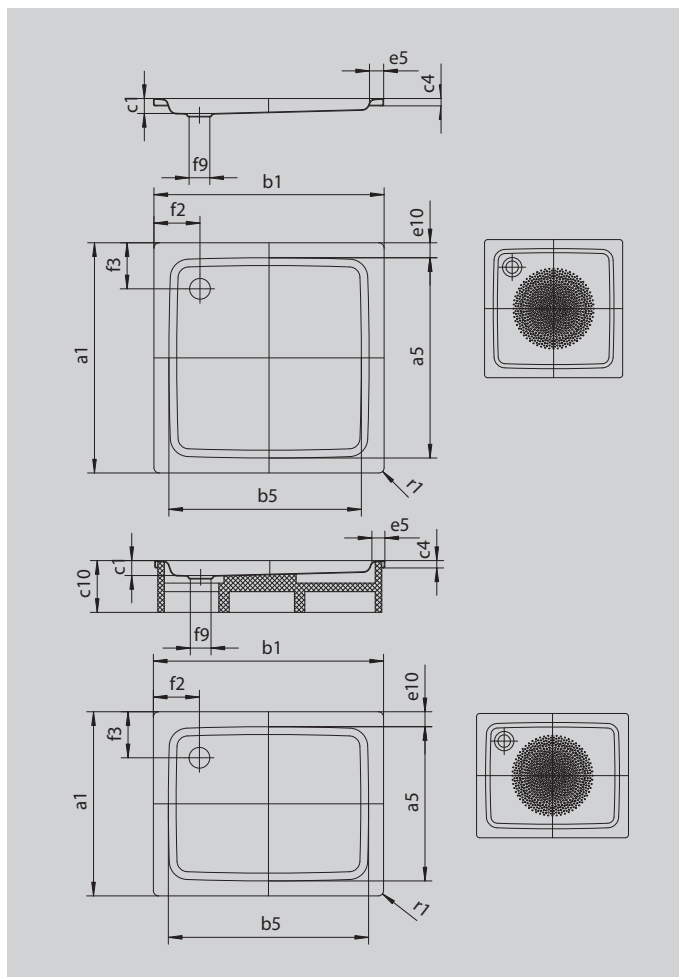
# DUSCHPLAN

- a classic among shower trays
- modern, clear design only 65 mm deep
- available in rectangular or square design
- made of KALDEWEI steel enamel
- flush-fitting recessed waste cover (only in combination with the KA 90 waste fittings)



Similar illustration

Model 420	KA 90 horizontal	KA 90 flat	KA 90 vertical
<b>Total height</b>	145	125	49
<b>Fitting height</b>	80	60	80



Model		420
External length	$a_1$	900 mm
Internal length	$a_5$	770 mm
External width	$b_1$	1200 mm
Internal width	$b_5$	1070 mm
Depth inside	$c_1$	65 mm
Height of rim	$c_4$	32 mm
Width of rim	$e_5$	65 mm
Diameter of waste hole	$f_9$	Ø 90 mm
Distance bath edge to centre of waste hole	$f_2; f_3$	200; 200 mm
External radius	$r_1$	12 mm
Net weight		31 kg
Diameter of anti-slip		Ø 588 mm