

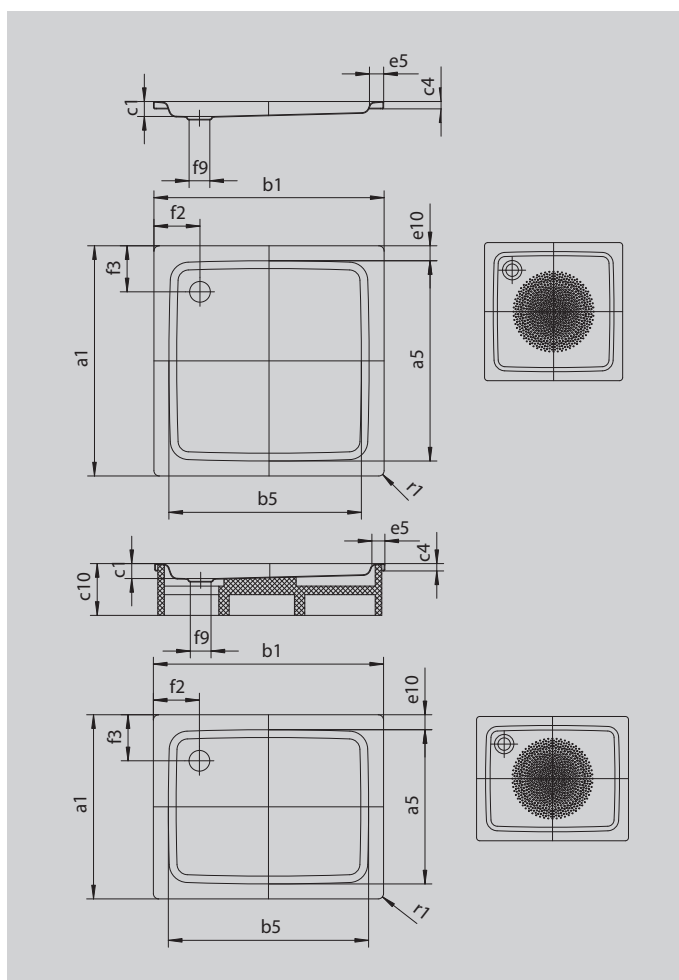
DUSCHPLAN

- a classic among shower trays
- modern, clear design only 65 mm deep
- available in rectangular or square design
- made of KALDEWEI steel enamel
- flush-fitting recessed waste cover (only in combination with the KA 90 waste fittings)



Similar illustration

| Model 421 | KA 90 horizontal | KA 90 flat | KA 90 vertical |
|----------------|------------------|------------|----------------|
| Total height | 145 | 125 | 49 |
| Fitting height | 80 | 60 | 80 |



| Model | | 421 |
|--|------------|-------------|
| External length | a_1 | 1000 mm |
| Internal length | a_5 | 870 mm |
| External width | b_1 | 1200 mm |
| Internal width | b_5 | 1070 mm |
| Depth inside | c_1 | 65 mm |
| Height of rim | c_4 | 32 mm |
| Height with support | c_{10} | 160 mm |
| Width of rim | e_5 | 65 mm |
| Diameter of waste hole | f_9 | Ø 90 mm |
| Distance bath edge to centre of waste hole | $f_2; f_3$ | 200; 200 mm |
| External radius | r_1 | 12 mm |
| Net weight | | 35 kg |
| Diameter of anti-slip | | Ø 588 mm |