

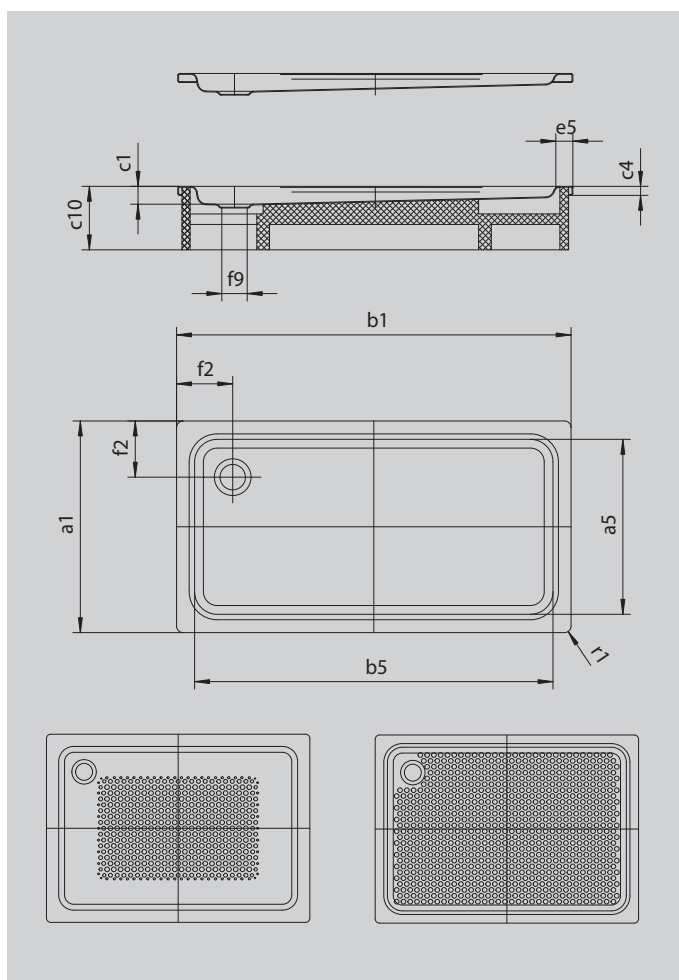
DUSCHPLAN

- a classic among shower trays
- modern, clear design only 65 mm deep
- available in rectangular or square design
- made of KALDEWEI steel enamel
- flush-fitting recessed waste cover (only in combination with the KA 90 waste fittings)



Similar illustration

Model 425	KA 90 horizontal	KA 90 flat	KA 90 vertical
Total height	145	125	49
Fitting height	80	60	80



Model		425
External length	a_1	750 mm
Internal length	a_5	620 mm
External width	b_1	1400 mm
Internal width	b_5	1270 mm
Depth inside	c_1	65 mm
Height of rim	c_4	32 mm
Width of rim	e_5	65 mm
Distance bath edge to centre of waste hole	f_2	200 mm
Diameter of waste hole	f_9	Ø 90 mm
External radius	r_1	12 mm
Net weight		29 kg
Anti-slip		300 x 856 mm
Full anti-slip		555 x 1195 mm