

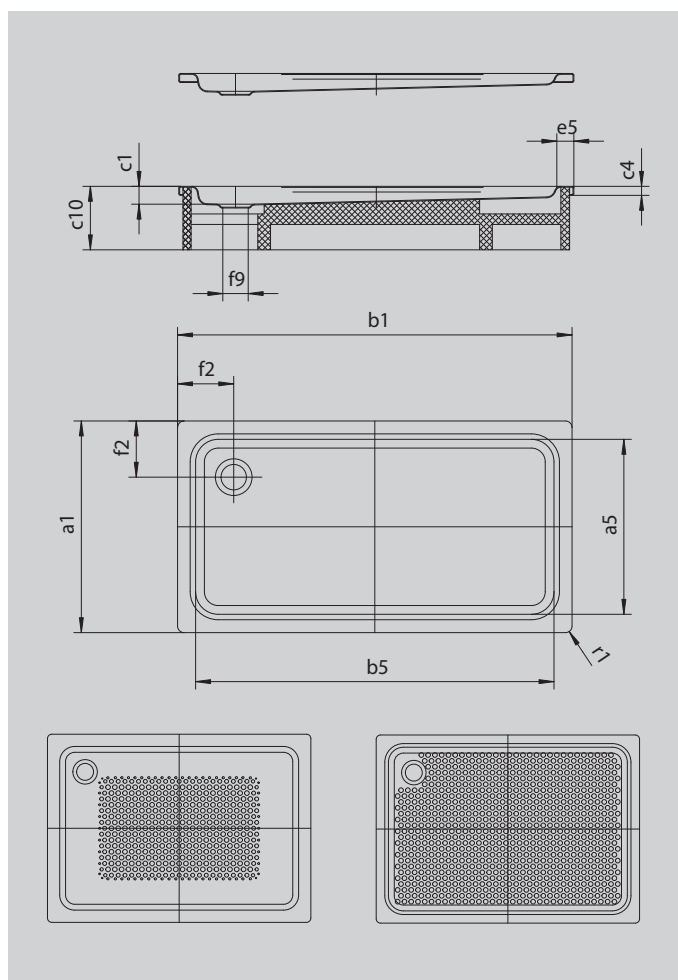
# DUSCHPLAN

- a classic among shower trays
- modern, clear design only 65 mm deep
- available in rectangular or square design
- made of KALDEWEI steel enamel
- flush-fitting recessed waste cover (only in combination with the KA 90 waste fittings)



Similar illustration

Model 427	KA 90 horizontal	KA 90 flat	KA 90 vertical
Total height	145	125	49
Fitting height	80	60	80



Model		427
External length	$a_1$	1000 mm
Internal length	$a_5$	870 mm
External width	$b_1$	1400 mm
Internal width	$b_5$	1270 mm
Depth inside	$c_1$	65 mm
Height of rim	$c_4$	32 mm
Width of rim	$e_5$	65 mm
Distance bath edge to centre of waste hole	$f_2$	200 mm
Diameter of waste hole	$f_9$	Ø 90 mm
External radius	$r_1$	12 mm
Net weight		37 kg
Anti-slip		549 x 856 mm
Full anti-slip		804 x 1195 mm