

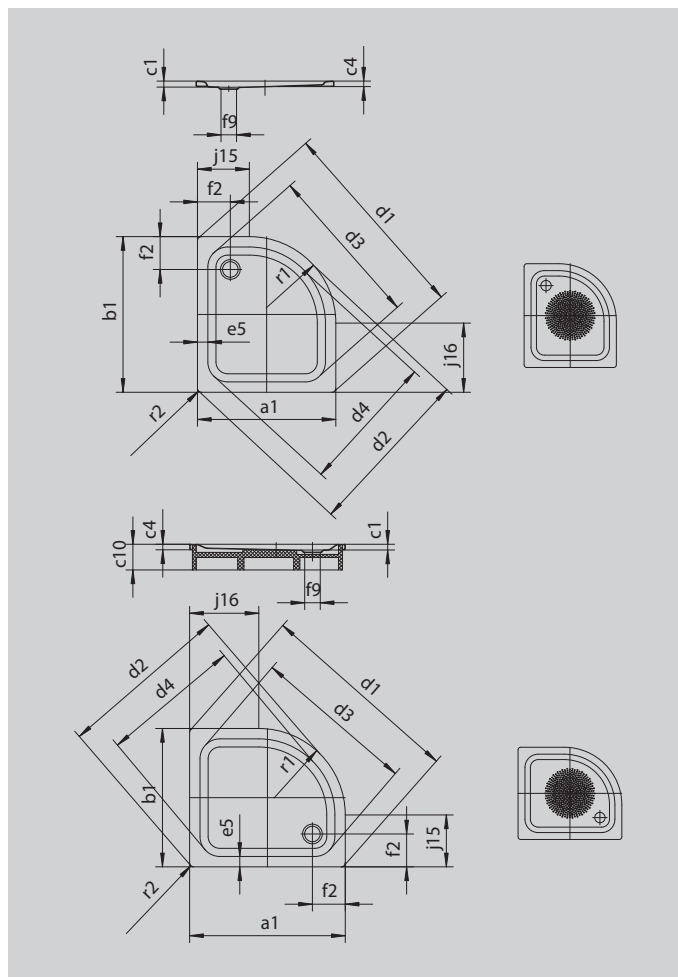
ZIRKON

- clear design, large standing area
- side waste
- elegant, functional quadrant form allows it to be intelligently installed even in the smallest of spaces
- made of KALDEWEI steel enamel
- flush-fitting recessed waste cover (only in combination with the KA 90 waste fittings)



Similar illustration

Model 510	KA 90 horizontal	KA 90 flat	KA 90 vertical
Total height	145	125	49
Fitting height	80	60	80



Model		510
External length	a_1	1000 mm
External width	b_1	1000 mm
Depth inside	c_1	65 mm
Height of rim	c_4	32 mm
Width across corners - external length	d_1	1397 mm
Width across corners - external width	d_2	1198 mm
Width across corners - internal length	d_3	1149 mm
Width across corners - internal width	d_4	1015 mm
Width of rim	e_5	55 mm
Distance bath edge to centre of waste hole	f_2	190 mm
Diameter of waste hole	f_9	Ø 90 mm
Side length	j_6	500 mm
External radius	r_1	500 mm
External radius	r_2	20 mm
Net weight		26 kg
Diameter of anti-slip		Ø 588 mm