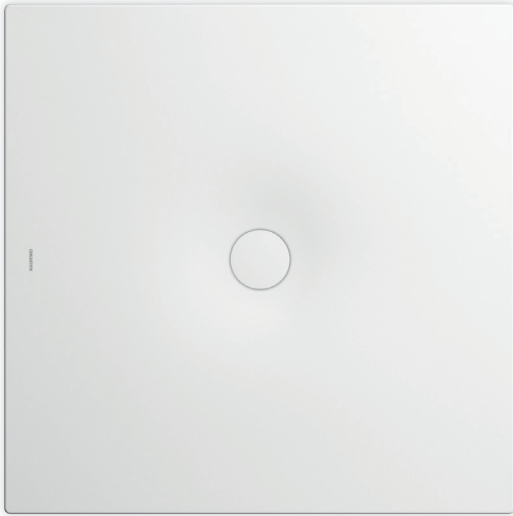


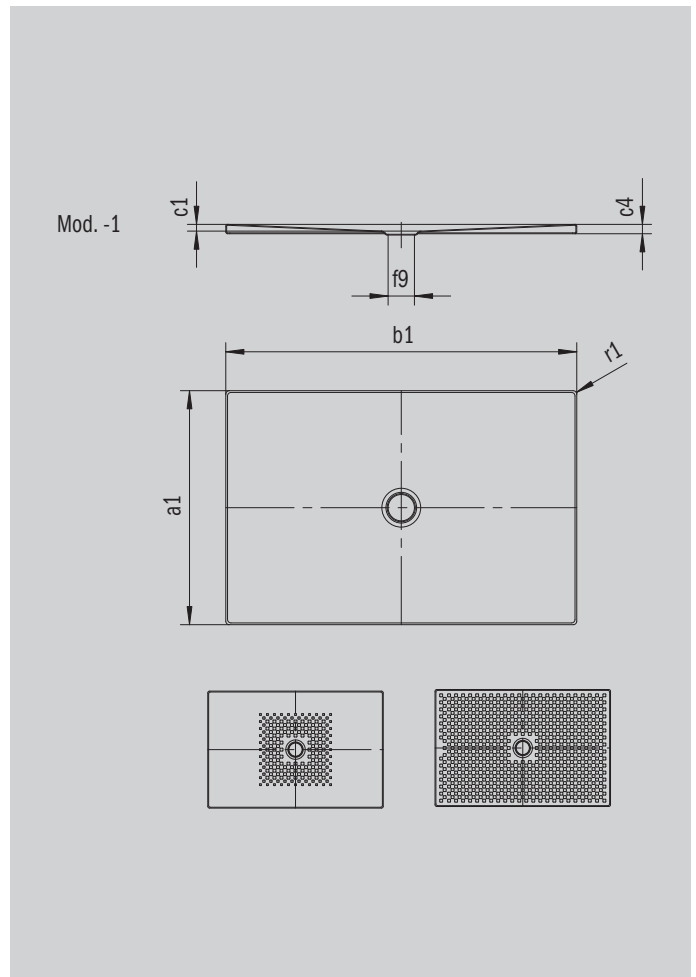
# SCONA

- harmonious design with centrally-placed waste
- can be installed absolutely flush to floor
- made of KALDEWEI steel enamel
- flush-fitting recessed waste cover (only in combination with the KA 90 waste fittings)



Similar illustration

Model 943	KA 90 horizontal	KA 90 flat	KA 90 vertical
Total height	103	83	49
Fitting height	80	60	80



ANTISLIP  
**SECURE<sup>+</sup>**

Model		943
External length	$a_1$	800 mm
External width	$b_1$	1100 mm
Depth inside	$c_1$	23 mm
Height of rim	$c_4$	32 mm
Diameter of waste hole	$f_9$	Ø 90 mm
External radius	$r_1$	12 mm
Net weight		23 kg
Anti-slip		492 x 492 mm
Full anti-slip		740 x 1028 mm
ANTI-SLIP SECURE PLUS		full base

**KALDEWEI**