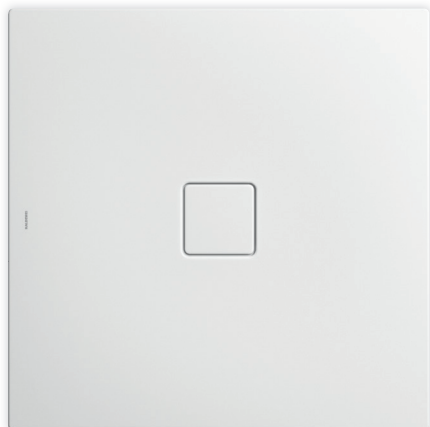


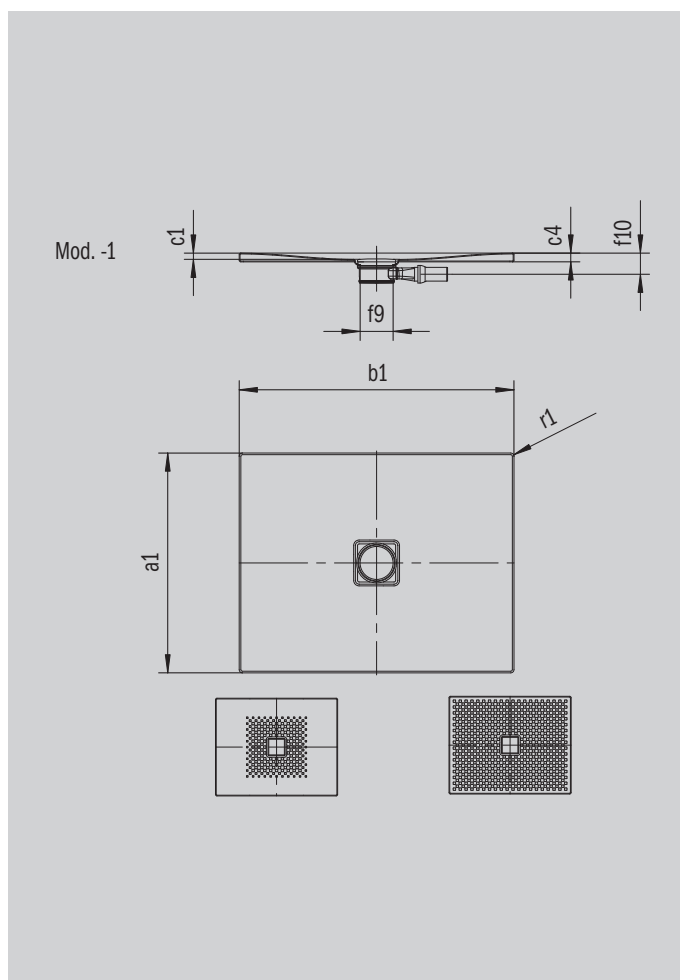
# CONOFLAT

- straightlined, purist design
- high level of comfort thanks to the flat enamelled waste cover that is flush with the shower area
- can be installed to be absolutely flush with the floor
- ideally complements the CONODUO bath
- designed by Sottsass Associati
- made of KALDEWEI steel enamel



Similar illustration

Model 863	KA 120 horizontal	KA 120 flat	KA 120 vertical
<b>Total height</b>	106	86	49
<b>Fitting height</b>	83	63	83



ANTISLIP  
**SECURE<sup>+</sup>**

Model		863
External length	$a_1$	900 mm
External width	$b_1$	1700 mm
Depth inside	$c_1$	23 mm
Height of rim	$c_4$	32 mm
Height with support	$c_{10}$	110 mm
Diameter of waste hole	$f_9$	Ø 120 mm
Bottle trap connection height	$f_{10}$	76 mm
External radius	$r_1$	12 mm
Net weight		42 kg
Anti-slip		492 x 492 mm
Full anti-slip		836 x 1652 mm
ANTI-SLIP SECURE PLUS		full base

**KALDEWEI**