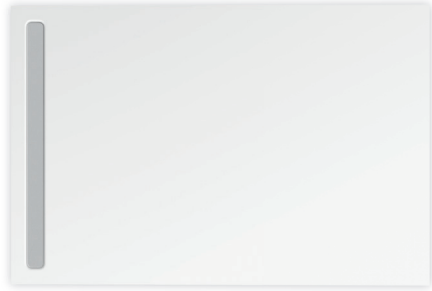


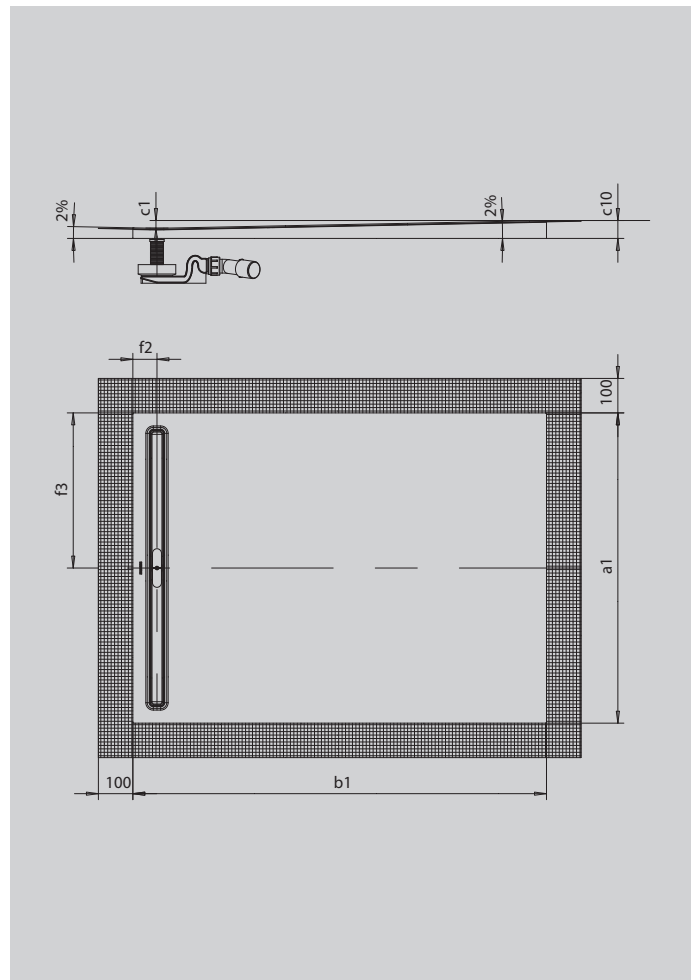
# NEXSYS

- Absolutely floor-level shower surface made of KALDEWEI steel enamel
- Design: Absolutely flat surface - no inner contours for a generous standing area and a harmonious bathroom interior. Discreet waste channel with flush design cover
- Pre-assembled 4-in-1 system consisting of enamelled shower surface, waste channel, all-round sealing tape, slope support with counter slope between channel and wall. The system is completed by the desired waste fitting inc. hair catcher and an exclusive design cover from the optional extras
- Accessories included: Sound insulation tape
- Low total height from 84 mm (depending on size and waste fitting)



Similar illustration

Model 2626	KA 4121	KA 4122
Total height	120.0-190.0	100
Fitting height	90.0-160.0	70



ANTISLIP  
**SECURE**

Model		2626
External length	$a_1$	900 mm
External width	$b_1$	1600 mm
Depth inside	$c_1$	30 mm
Height with support	$c_{10}$	60 mm
Distance bath edge to centre of waste hole	$f_2, f_3$	70; 450 mm
Total height KA 4121, min.		120 mm
Total height KA 4121, max.		190 mm
Total height KA 4122		100 mm
Net weight		34 kg

**KALDEWEI**