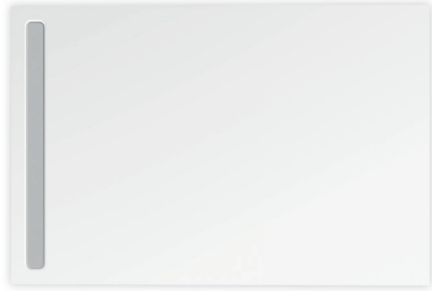


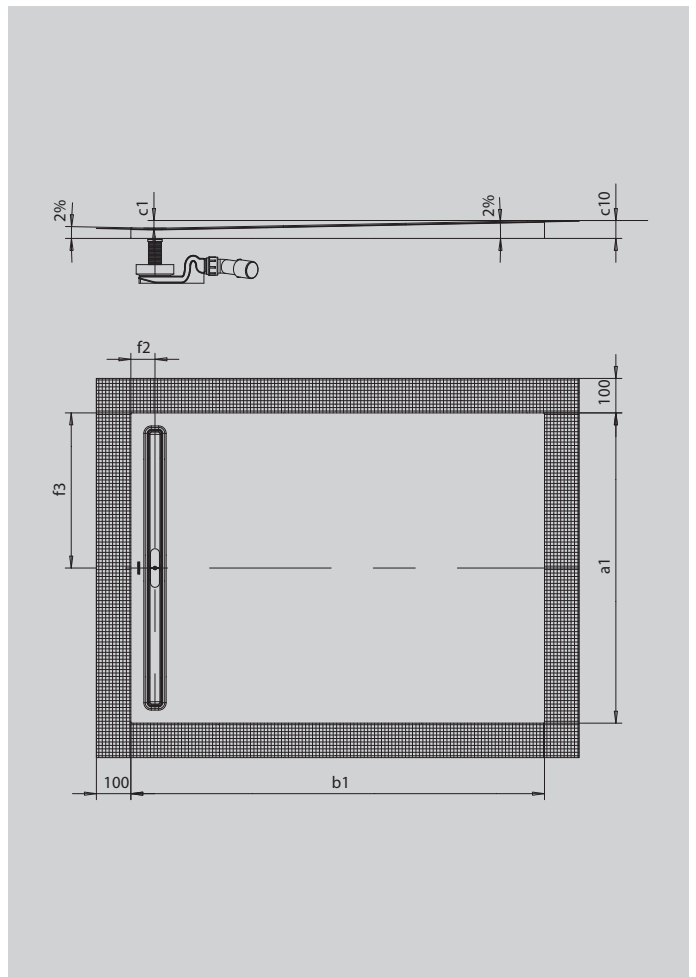
# NEXSYS

- Absolutely floor-level shower surface made of KALDEWEI steel enamel
- Design: Absolutely flat surface - no inner contours for a generous standing area and a harmonious bathroom interior. Discreet waste channel with flush design cover
- Pre-assembled 4-in-1 system consisting of enamelled shower surface, waste channel, all-round sealing tape, slope support with counter slope between channel and wall. The system is completed by the desired waste fitting inc. hair catcher and an exclusive design cover from the optional extras
- Accessories included: Sound insulation tape
- Low total height from 84 mm (depending on size and waste fitting)



Similar illustration

Model 2628	KA 4121	KA 4122
Total height	122.0-192.0	102
Fitting height	90.0-160.0	70



ANTISLIP  
**SECURE**

Model		2628
External length	$a_1$	750 mm
External width	$b_1$	1700 mm
Depth inside	$c_1$	32 mm
Height with support	$c_{10}$	62 mm
Distance bath edge to centre of waste hole	$f_2; f_3$	70; 375 mm
Total height KA 4121, min.		122 mm
Total height KA 4121, max.		192 mm
Total height KA 4122		102 mm
Net weight		31 kg

**KALDEWEI**