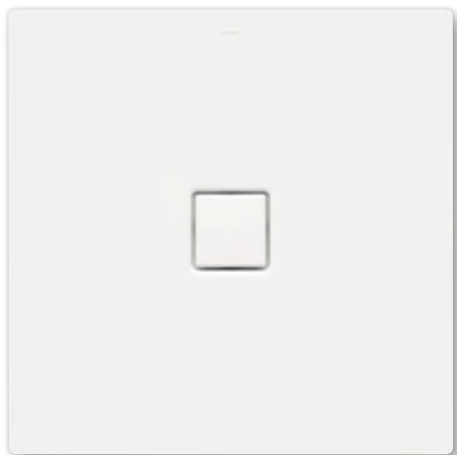


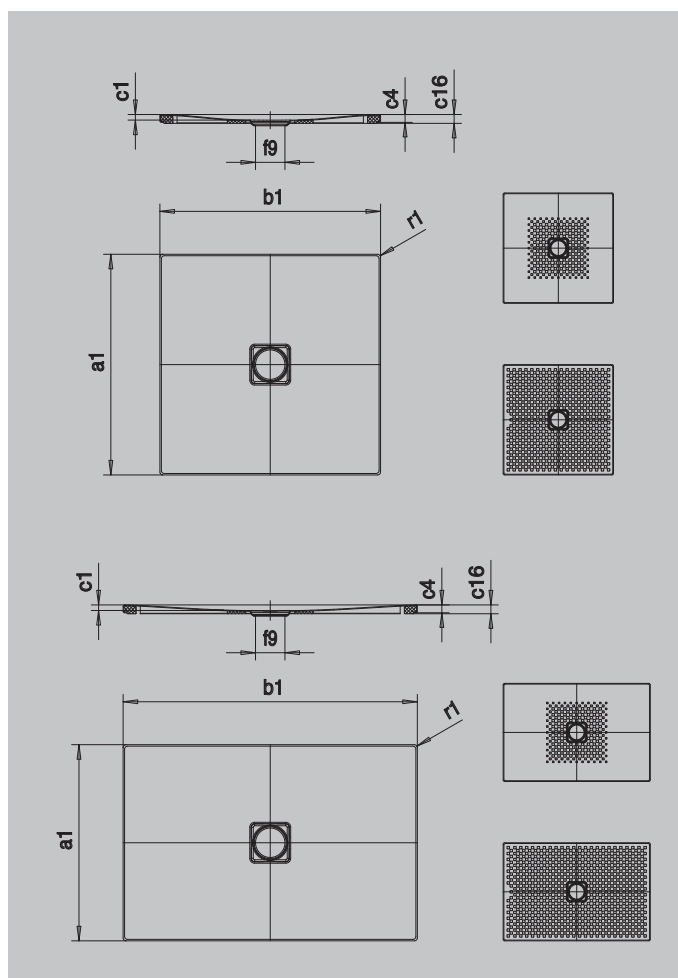
CONOFLAT WITH LOW PROFILE SUPPORT

- straightlined, purist design
- high level of comfort thanks to the flat enamelled waste cover that is flush with the shower area
- Total height (g) with horizontal waste fitting: 107 mm; fitting height incl. cover 83 mm (compared to tiled shower areas)
- made of KALDEWEI steel enamel
- ideally complements the CONODUO bath
- designed by Sottsass Associati
- drainage capacity KA 120: 0,85 l/s
- drainage capacity KA 120 vertical: 1,4 l/s



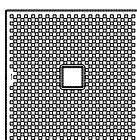
Similar illustration

	Combined Tray & Waste depth	Waste fitting depth
KA 120	107	83
KA 120 vertical	49	83
KA 120 flat	87	63



SECURE^[+]

Model	862	863	864	865	866	867
External length	a ₁	750	900	1000	800	1000 mm
External width	b ₁	1700	1700	1700	1800	1800 mm
Internal depth	c ₁	23	23	23	23	23 mm
Height of rim	c ₄	32	32	32	32	32 mm
Height with low profile support	c ₁₆	37	37	37	37	37 mm
Diameter of drain hole	f ₉	Ø 120	Ø 120	Ø 120	Ø 120	Ø 120 mm
External radius	r ₁	12	12	12	12	12 mm
Weight of the enamelled shower tray		33	40	43	35	41
Anti-slip		492 x 492	492 x 492	588 x 588	492 x 492	588 x 588 mm
Full anti-slip		692 x 1652	836 x 1652	932 x 1652	740 x 1748	836 x 1748
SECURE PLUS		all-over	all-over	all-over	all-over	all-over



The TÜV Rheinland confirms the following properties of KALDEWEI's anti-slip, full anti-slip and SECURE PLUS finish:

- Assessment group **B** for wet barefoot areas (**DIN 51097**)
- Assessment group **R 10** for slip-resistant properties in work rooms and areas with an increased risk of slipping (**DIN 51130**)

All CONOFLAT models are available either with anti-slip, full anti-slip or SECURE PLUS.

Model 790 with Full anti-slip or SECURE PLUS fits DIN barrier-free 18040-2.