

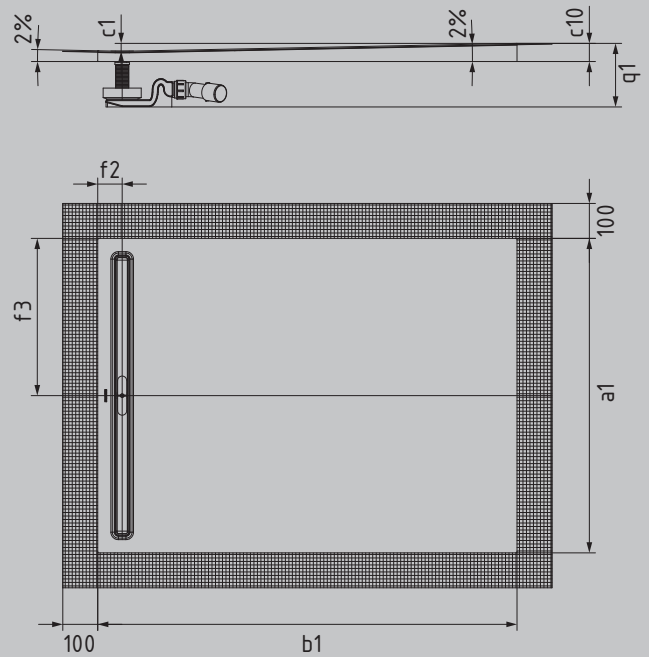
NEXSYS

- Absolutely floor-level shower surface made of KALDEWEI steel enamel
- Design: Absolutely flat surface - no inner contours for a generous standing area and a harmonious bathroom interior.
Discreet waste channel with flush design cover.
- Pre-assembled 4-in-1 system consisting of enamelled shower surface, waste channel, all-round sealing tape, slope support with counter slope between channel and wall. The system is completed by the desired waste fitting incl. hair catcher and an exclusive design cover from the optional extras.
- Accessories included: Sound insulation tape
- Low total height from 86 mm (depending on size and waste fitting)



Similar illustrations

Mod. 2618



Model No.		2621	2622	2625	2627	2628	2629
External length	a1	900	800	800	1000	750	900 mm
External width	b1	1300	1400	1600	1600	1700	1700 mm
Internal depth	c1	22	24	28	28	30	30 mm
Height with support	c10	54	56	60	60	62	62 mm
Distance tray edge to centre of waste hole	f2; f3	70; 450	70; 400	70; 450	70; 500	70; 375	70; 450 mm
Weight of the enamelled shower tray in kg		29	27	31	39	31	37 kg
Total height (height with KA 4121 waste fitting)	q1	min. 114 max. 184	min. 116 max. 186	min. 120 max. 190	min. 120 max. 190	min. 122 max. 192	min. 122 mm max. 192 mm
Total height (height with KA 4122 waste fitting)	q1	94	96	100	100	102	102 mm