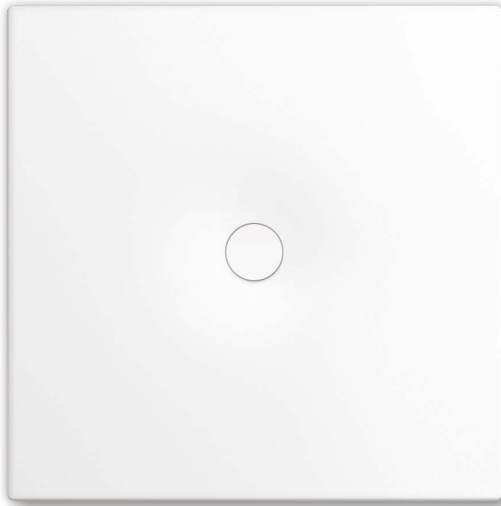


# SCONA

- harmonious design with centrally-placed waste
- can be installed absolutely flush to floor
- also available in the shades of the Coordinated Colours Collection
- made of KALDEWEI steel enamel
- flush-fitting recessed waste cover  
(only in combination with the KA 90 waste fittings)

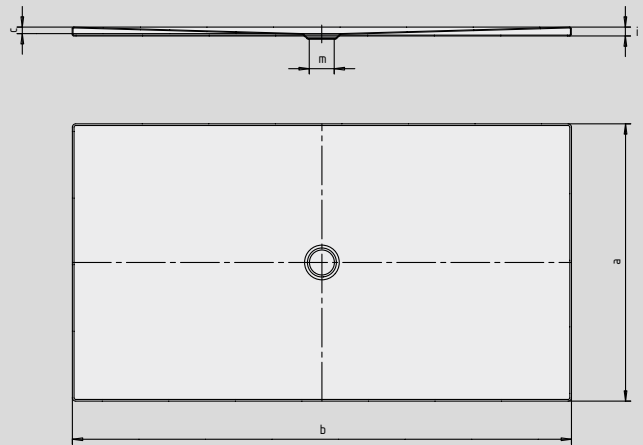


Similar illustration

	Combined Tray & Waste depth	Waste fitting depth
KA 90	103	81
KA 90 extra flat	92	70
KA 90 ultra flat	83	61
KA 90 vertical	49	81

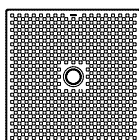
See page 291.

Model 998



SECURE<sup>+</sup>

Model No.	989	991	993	994	995	996	997	998	
External length	a	1000	700	750	900	1000	800	900	1000 mm
External width	b	1600	1700	1700	1700	1700	1800	1800	1800 mm
Depth	c	23	23	23	23	23	23	23	23 mm
Height of rim	i	32	32	32	32	32	32	32	32 mm
Diameter of drain hole	m	90	90	90	90	90	90	90	90 mm
Weight of the enamelled shower tray in kg		40	31	33	34	43	37	41	44
Anti-slip		492 x 492	492 x 492	492 x 492	492 x 492	492 x 492	492 x 492	492 x 492	492 x 492 mm
Full anti-slip		932 x 1556	644 x 1604	692 x 1652	836 x 1652	932 x 1652	740 x 1748	836 x 1748	932 x 1748 mm
SECURE PLUS		all-over	all-over	all-over	all-over	all-over	all-over	all-over	all-over



The TÜV Rheinland confirms the following properties of KALDEWEI's anti-slip, full anti-slip and SECURE PLUS finish:

- Assessment group **B** for wet barefoot areas (**DIN 51097**)
- Assessment group **R 10** for slip-resistant properties in work rooms and areas with an increased risk of slipping (**DIN 51130**)

All SCONA models are available either with anti-slip, full anti-slip or SECURE PLUS.

Model 968 with full anti-slip or SECURE PLUS fits DIN barrier-free 18040-2.