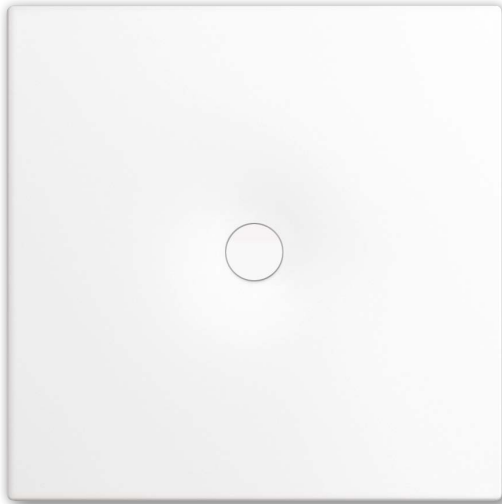


# SCONA

- harmonious design with centrally-placed waste
- can be installed absolutely flush to floor
- also available in the shades of the Coordinated Colours Collection
- made of KALDEWEI steel enamel
- flush-fitting recessed waste cover  
(only in combination with the KA 90 waste fittings)

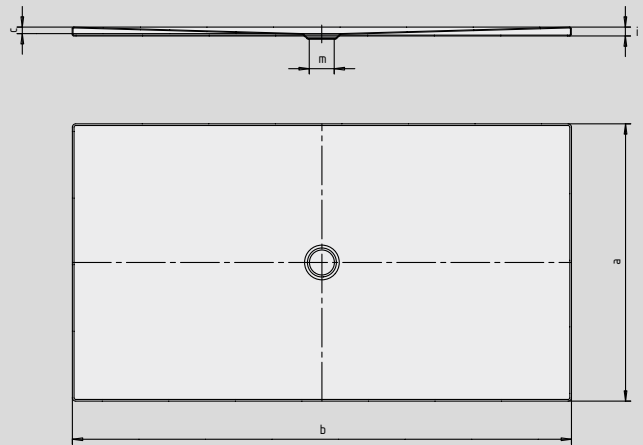


Similar illustration

|                  | Combined Tray & Waste depth | Waste fitting depth |
|------------------|-----------------------------|---------------------|
| KA 90            | 103                         | 81                  |
| KA 90 extra flat | 92                          | 70                  |
| KA 90 ultra flat | 83                          | 61                  |
| KA 90 vertical   | 49                          | 81                  |

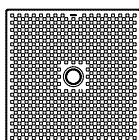
See page 291.

Model 998



SECURE<sup>+</sup>

| Model No.                                 | 989 | 991        | 993        | 994        | 995        | 996        | 997        | 998        |               |
|---|-----|------------|------------|------------|------------|------------|------------|------------|---------------|
| External length                           | a   | 1000       | 700        | 750        | 900        | 1000       | 800        | 900        | 1000 mm       |
| External width                            | b   | 1600       | 1700       | 1700       | 1700       | 1700       | 1800       | 1800       | 1800 mm       |
| Depth                                     | c   | 23         | 23         | 23         | 23         | 23         | 23         | 23         | 23 mm         |
| Height of rim                             | i   | 32         | 32         | 32         | 32         | 32         | 32         | 32         | 32 mm         |
| Diameter of drain hole                    | m   | 90         | 90         | 90         | 90         | 90         | 90         | 90         | 90 mm         |
| Weight of the enamelled shower tray in kg |     | 40         | 31         | 33         | 34         | 43         | 37         | 41         | 44            |
| Anti-slip                                 |     | 492 x 492  | 492 x 492  | 492 x 492  | 492 x 492  | 492 x 492  | 492 x 492  | 492 x 492  | 492 x 492 mm  |
| Full anti-slip                            |     | 932 x 1556 | 644 x 1604 | 692 x 1652 | 836 x 1652 | 932 x 1652 | 740 x 1748 | 836 x 1748 | 932 x 1748 mm |
| SECURE PLUS                               |     | all-over   | all-over   | all-over   | all-over   | all-over   | all-over   | all-over   | all-over      |



The TÜV Rheinland confirms the following properties of KALDEWEI's anti-slip, full anti-slip and SECURE PLUS finish:

- Assessment group **B** for wet barefoot areas (**DIN 51097**)
- Assessment group **R 10** for slip-resistant properties in work rooms and areas with an increased risk of slipping (**DIN 51130**)

All SCONA models are available either with anti-slip, full anti-slip or SECURE PLUS.

Model 968 with full anti-slip or SECURE PLUS fits DIN barrier-free 18040-2.